

# Storage Tank Suction Heaters



## Model 1200

### Product Description

Åger design, manufacture and install custom designed suction heaters depending on the needs of each client and project needs. ERGIL Storagegetech™ Pipeline Equipment provides shell & tube type heat exchangers, suction and line and storage tank heaters to oil refining, chemical, Pharmaceutical, Petro-Chemical, LNG & LNP, Pulp & Paper, Cogeneration, and Geothermal industries since 1983.

ERGIL provides complete thermal as well as mechanical design. Support system of larger equipments can be supplied to the base of the tank.

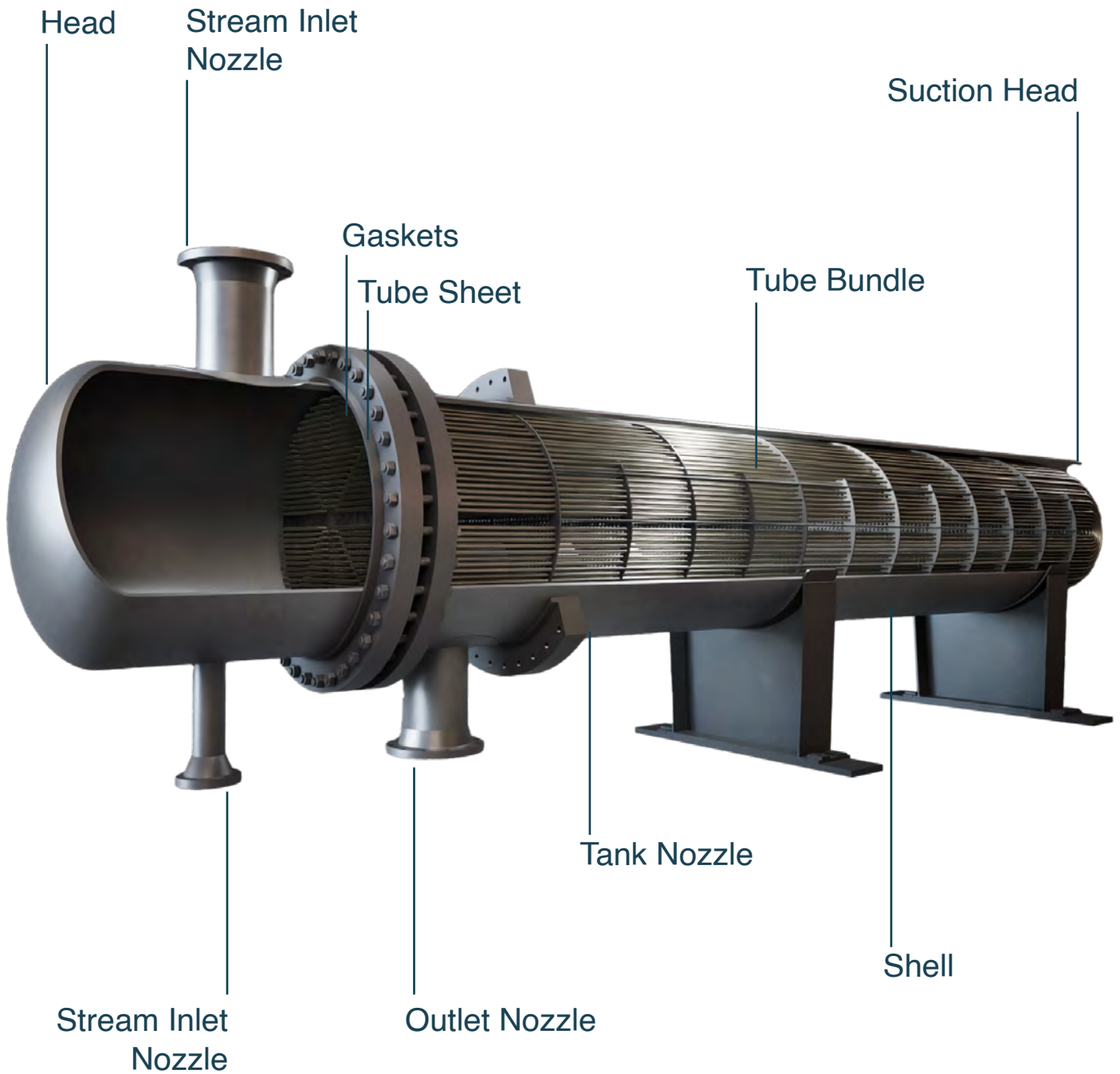
Suction heaters are used to heat items fluids stored inside of the storage tanks, particularly when the products have higher viscosity rates at the lower temperatures. By utilising suction heaters to lower viscosity and improve fluidity, they may be appropriately pumped and transported.

Thermal oil, steam from a boiler as well as electrical heater is used for transferring heat. In actuality, a suction heater is a heat exchanger utilizing heating fluid as the primary fluid. Only heat your product when needed. There are several electrical heater models available.



- Power range: upto 10 MW
- Design temperature: up to 340°C
- Design code: ASME VIII Div. 1, EN 13445, AD2000, TEMA

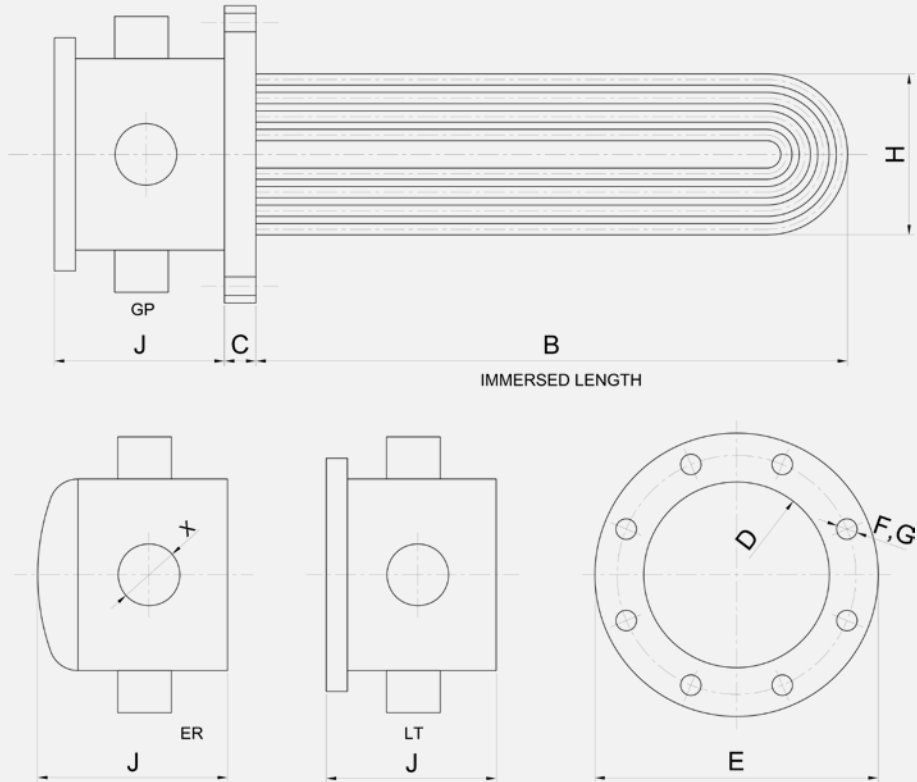




## Technical Details

- 10" Carbon Steel Pipe Body and Heater Flange, 150 Lb Construction (Pipe Sizes from 5 -20" available)
- 18" 150 Lb ANSI B16.5 Tank Mounting Flange Matched to 10" Pipe Body (Mating Flange from 10 - 30" available)
- 30 - 40 kW (10 - 200 kW available)
- 240 and 480V, Three Phase (Up to 600V available)
- Moisture Resistant and Explosion Resistant Terminal Enclosure.
- 0.475" Dia. Steel Sheath Low Watt Density Elements (5 W/in 2)

## Technical Drawing



## Weight & Dimensions

Process Flange (A)					Heater Flange	Outlet (Inches)			Inlet				
A Size	Dimensions (Inch)			Hole Size		#Holes	Hole Diam	In	Type	Size	Type	Type	Size
In	C Thick	D Diam	E Diam	F	G	H	In	Type	Size	Type	Type	Size	Extenslor
4	0-15/16	7-1/2	9	3/4	4	2-3/4	3	FNPT	2	1 Inch FNP	FNPT	3	4,5
5	0-15/16	8-1/2	10	3/4	8	2-13/16	4	150#A	2	1 Inch FNP	FNPT	3	11,5
6	1	9-1/2	11	7/8	8	4-13/16	5	150#A	3	1 Inch FNP	FNPT	3	12,5
8	1-1/8	11-3/4	13-1/2	7/8	8	5-3/4	6	150#A	3	1 Inch FNP	FNPT	3	13,0
10	1-3/16	14-1/4	16	7/8	8	7-13/16	8	150#A	3	1 Inch FNP	150#ANSI	3	16,0
12	1-3/16	17	19	1	12	9-5/8	10	150#A	4	1 Inch FNP	150#ANSI	4	11,5
14	1-1/4	17	21	1-1/8	12	11-5/8	12	150#A	4	1 Inch FNP	150#ANSI	6	13,0
16	1-3/8	18-3/4	23-1/2	1-1/8	16	12-1/2	14	150#A	6	1 Inch FNP	150#ANSI	6	18,5

Process Flange (A) A Size In	Heater Flange In	Outlet (Inches)			Outlet (Inches)		
		J GP	J ER	J LT	GP	ER	LT
4	3	2-5/8	5-1/2	2-5/8	1@1	1@1-1/4	1@1
5	4	5-1/2	6-1/2	5-1/2	3@1-1/4	2@1/2	3@1-1/4
6	5	5-1/2	6-1/2	5-1/2	3@1-1/4	2@1/2	3@1-1/4
8	6	5-1/2	8	5-1/2	3@1-1/4	2@1/2	3@1-1/4
10	8	5-1/2	9	5-1/2	3@1-1/2	3@1-1/2	3@1-1/2
12	10	7	11	7	3@1-1/2	3@1-1/2	3@1-1/2
14	12	7	11	7	3@2	3@2	3@2
16	14	7	11	7	3@2	3@2	3@2

## Äger GmbH

### Germany Head Office + R&D + Sales

Herzogspitalstraße 24  
Munich 80331  
Germany  
+49 (0) 89 1250 15240  
www.aager.de  
sales@aager.de

### Turkey Head Office + Sales

Ağaoğlu My Office 212  
No: 3 B Blok /175  
P.K 34218 Güneşli – Bağcılar  
Istanbul / Turkey  
+90 212 485 40 07  
+90 212 485 40 42  
www.ergil.com  
sales@ergil.com

### Turkey Factory + Engineering + R&D + Sales

Mersin Tarsus OSB.13.CD.NO:7  
P.K: 33540 Mersin, Turkey  
+90 324 676 44 04  
+90 324 676 44 03  
sales@ergil.com

### U.A.E. Sales + Warehouse

Jumeirah Lake Towers, X2 Tower 1906  
P.O. Box: 123661 Dubai, U.A.E.  
+971 4 450 8051  
+971 4 450 8041  
sales@ergil.com

### data sheet series

Storage Tank  
Suction Heaters

Revision No: 05  
ST-DS-ST.SH-02.23/V5  
storagetech.de

February 2023

Storagetech™ Website  
QR Code

