

Rim Seal Foam Pourer



Model 1021

Product Description

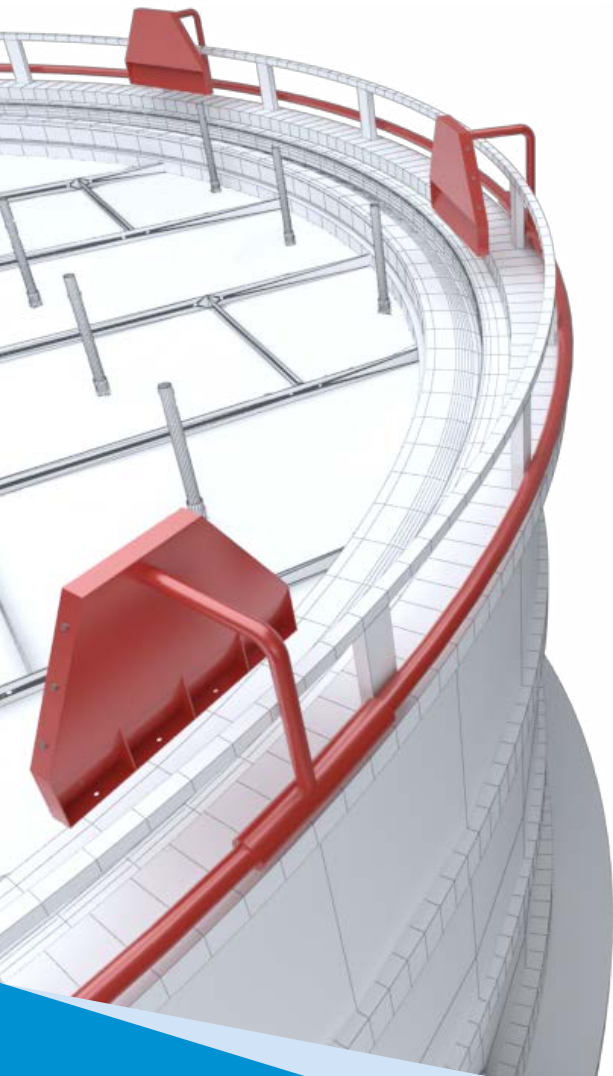
Model Number 1021 - Storagetech™ Rim Seal Foam Pourer (RSFP) is designed to prevent any potential risk for fire and vapor suppression for external floating roof tanks by its optimized and unique engineering capability. The RSFP allows the system discharging fully aspirated foam directly to the annular seal area of the open top floating roof storage tanks.

Storagetech™ RSFP provides safe protection from the wind, allowing the aspirated foam to gently discharge on to the protected area of the floating roof tank. Gentle application minimizes submergence and agitation, increasing the effectiveness of the foam blanket. This design allows a uniform and cohesive foam flow. Storagetech™ RSFP is recognized as Type II discharge devices in accordance with NFPA 11, "Standard for Low-,Medium-, and High Expansion Foam"



Application

Superior Guard Storagetech™ Rim Seal Foam Pourers are used for the safe protection of external floating roof storage tanks, flammable liquid storage tanks. Especially, the protected storage tanks must be open-top construction with either double-deck or pontoon-type floating roofs. The application of aspirated foam is on the basis of the risk comprising the area in the annular ring between the rim of the floating roof and the tank shell. The Rim Seal Foam Pourers are widely used with the Inline Foam Inductor, Balance Pressure Foam Proportioning System, Bladder Tank system or Foam tenders.



Design & Manufacturing Specifications

- Epoxy paint with zinc-rich primer over abrasive blasted steel.
- A flat-face 2.5 in. Steel flange, and the orifice plate made of replaceable machined brass.
- The fasteners are constructed of stainless steel as well as the inlet and outlet screens which prevents dirt, dust and birds from entering foam pourer.
- Operating pressure from 30 psi to 150 psi (2.1 bar to 10.3 bar)
- K factors from 1.2 to 16.1.
- Foam Solution rates from 50 to 712 liters per min. At 2.8 to 10 kg/sq.cm.

Certificates & Standards

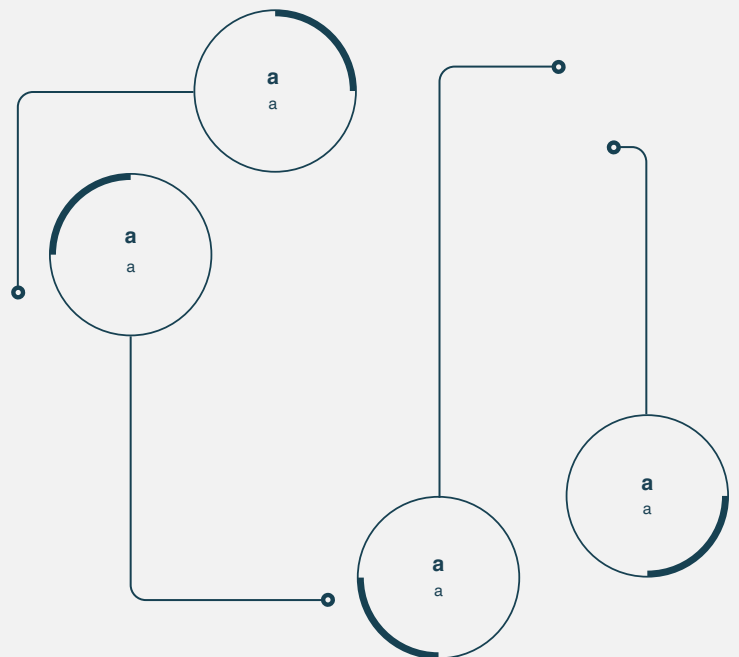


Key Features

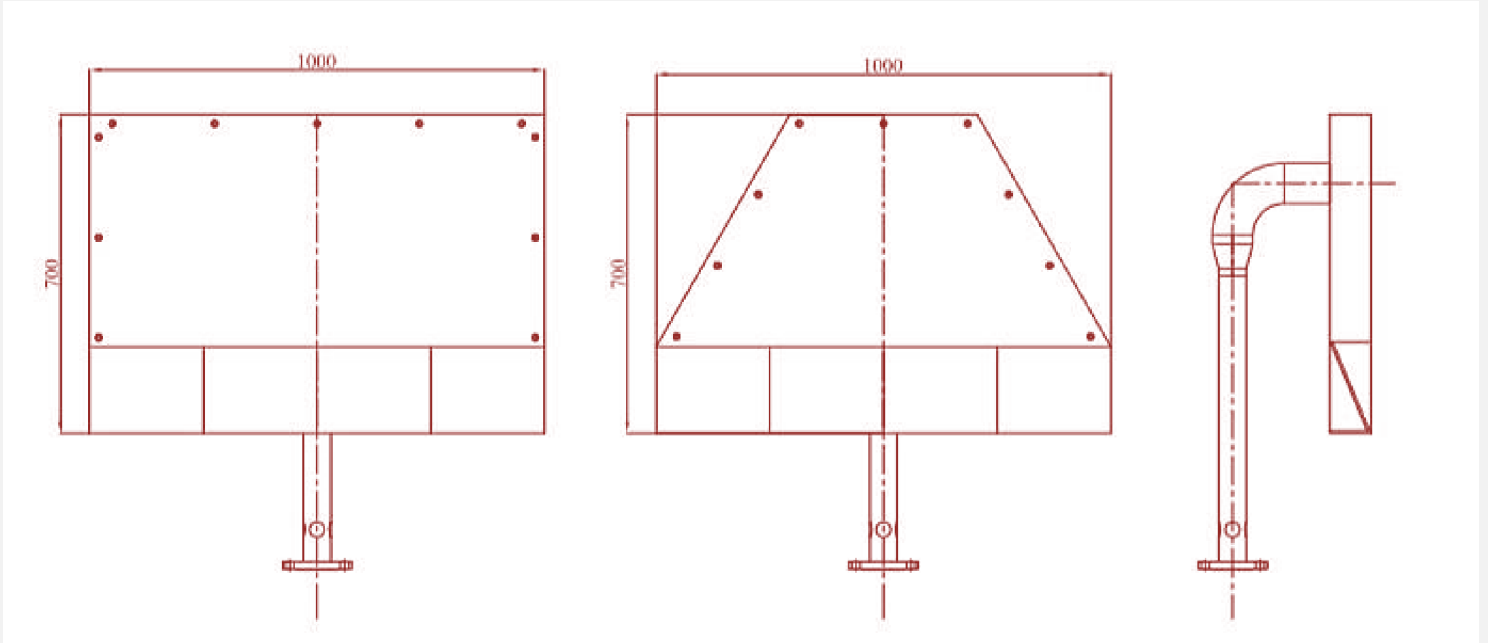
- Two sizes are available.
- Uniform high quality foam production.
- Ragged and optimized construction.
- Flow range between 50-712 L/min.
- Durable in harsh environment.
- No welding needed for mounting.
- Wind protection allows all foam to be carried out in the sealing area.
- Inlet and Outlet covered to prevent dust, dirt and bird entry.
- Operating Pressures from requested psi (2.1 bar to 10.3 bar and more)
- UL listed Foam Maker Assembly.

Operation

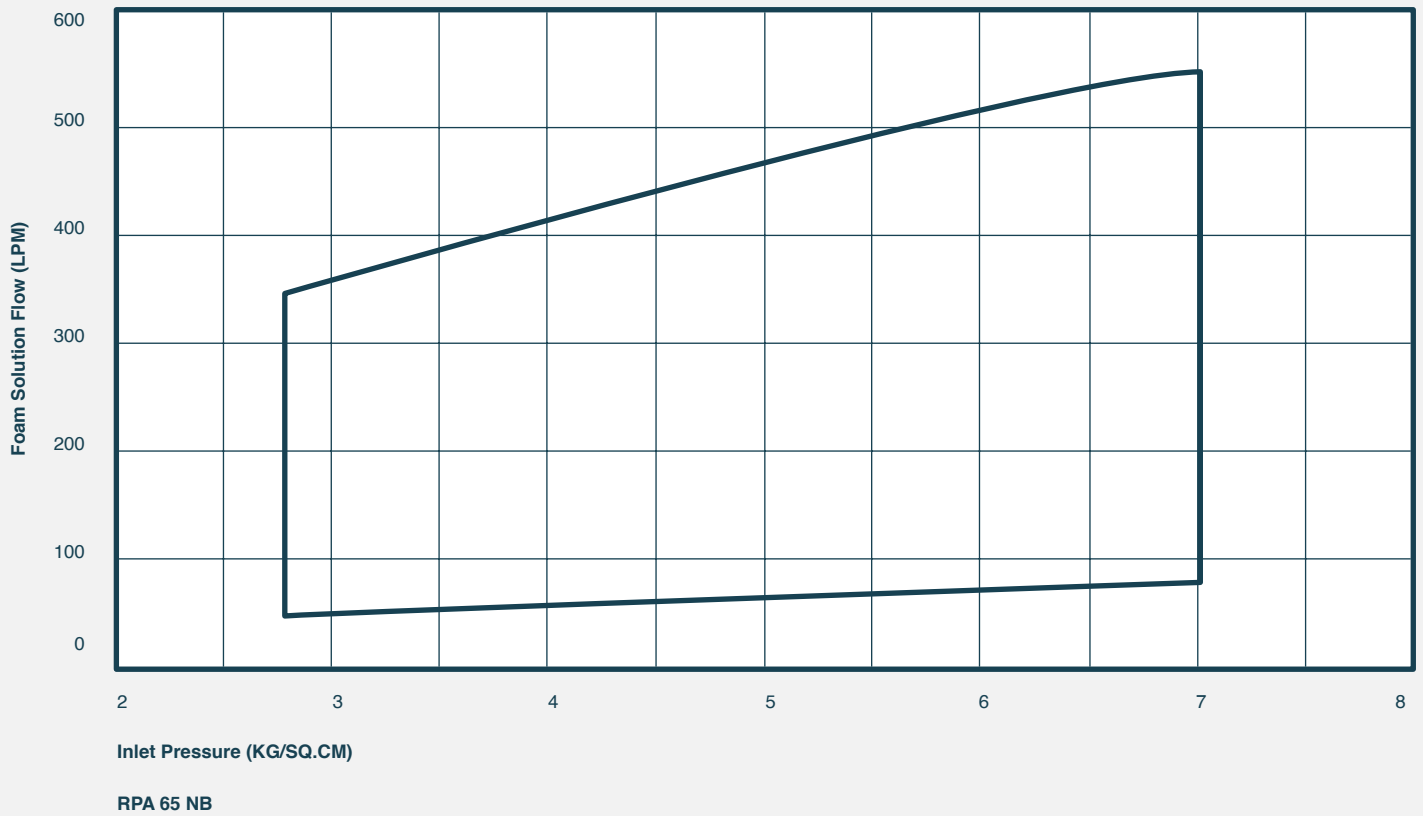
On open floating roof tanks the area of fire is initially small starting in the seal area surrounding the floating pontoon. If no action is taken, it can spread to the cover of the whole surface area. Proven extremely difficult to extinguish. Fixed systems are designed to deliver foam into the seal area swiftly before the fire has a chance to escalate. Such system can extinguish in its earliest stage. The burn marks outside of the tank shows where the fire started in the seal area. Without such system, it is quite possible that the whole tank could become involved. Delivering the foam into the seal area without wind is a major challenge for storage industry. Storagetech™ has overcome this problem by developing its specialized rim seal pourer which produces high-quality fluid foam. This slides down the tank wall into the seal area spreading out and rapidly providing total coverage. This is particularly difficult to achieve when the roof is at its lowest and most vulnerable position. In strong winds, the exceptional performance of Storagetech™ rim seal foam pourer unit still achieves a uniform foam blanket in the seal area.



Technical Drawing



Flow Range



Äger GmbH

Germany Head Office + R&D + Sales
Herzogspitalstraße 24
Munich 80331
Germany
+49 89 9040 5200
www.aager.de
sales@aager.de

Azerbaijan Sales + Warehouse

Ahmad Racabli 222
Royal Plaza
5th floor, Suite 8
Baku, Azerbaijan AZ1106
+994 (12) 564 2256
sales@ergil.com

U.A.E. Sales + Warehouse

Jumeirah Lake Towers, X2 Tower 1906
P.O. Box: 123661 Dubai, U.A.E.
+971 4 450 8051
+971 4 450 8041
sales@ergil.com

Turkey Head Office + Sales

Ağaoğlu My Office 212
No: 3 B Blok /175
P.K 34218 Güneşli – Bağcılar
Istanbul / Turkey
+90 212 485 40 07
+90 212 485 40 42
www.ergil.com
sales@ergil.com

Turkey Factory + Engineering + R&D + Sales

Mersin Tarsus OSB.13.CD.NO:7
P.K: 33540 Mersin, Turkey
+90 324 676 44 04
+90 324 676 44 03
sales@ergil.com



data sheet series

Rim Seal
Foal Pourer

Revision No: 01
ST-DS-RSFP-02.24/V1
storagetech.de

Feb 2024

Storagetech™ Website
QR Code

