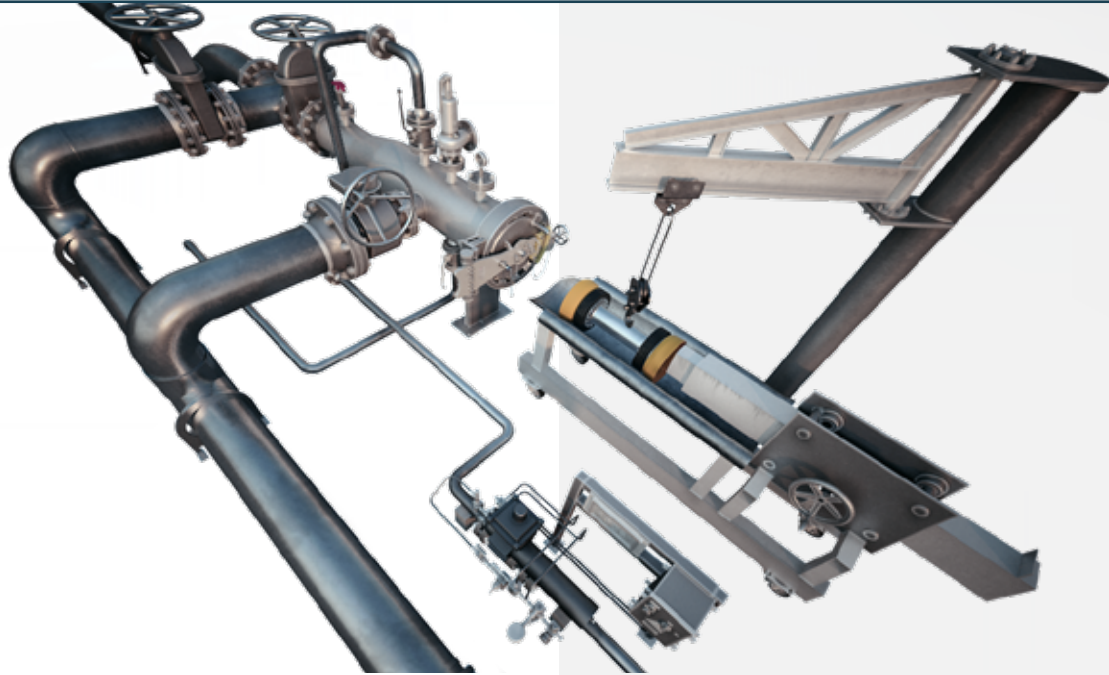


Skid Mounted Complete Pigging System



Product Description

We, Rhino Process Equipment Team, know very well the importance of the pipeline pigging, and a good pigging system is a must for the operation of pipelines. The skid mounted complete pigging consists of all the elements, pig launcher or receiver, trolley, crane, and drain box, that you need for pipeline pigging.

Rhino is capable of providing mobile or portable skid mounted pig launcher and receivers for pipelines of any size and pressure ratings.

Rhino provides complete solutions for your pipeline related jobs, such as cleaning, drying, testing and displacement.

Easy to use Rhino launchers and receivers can be used almost all kind of applications. Rhino pig launchers and pig receivers can be designed to accommodate scraper pigs, sphere pigs or "smart" pigs, or any combination of the three



Manufacturing Materials

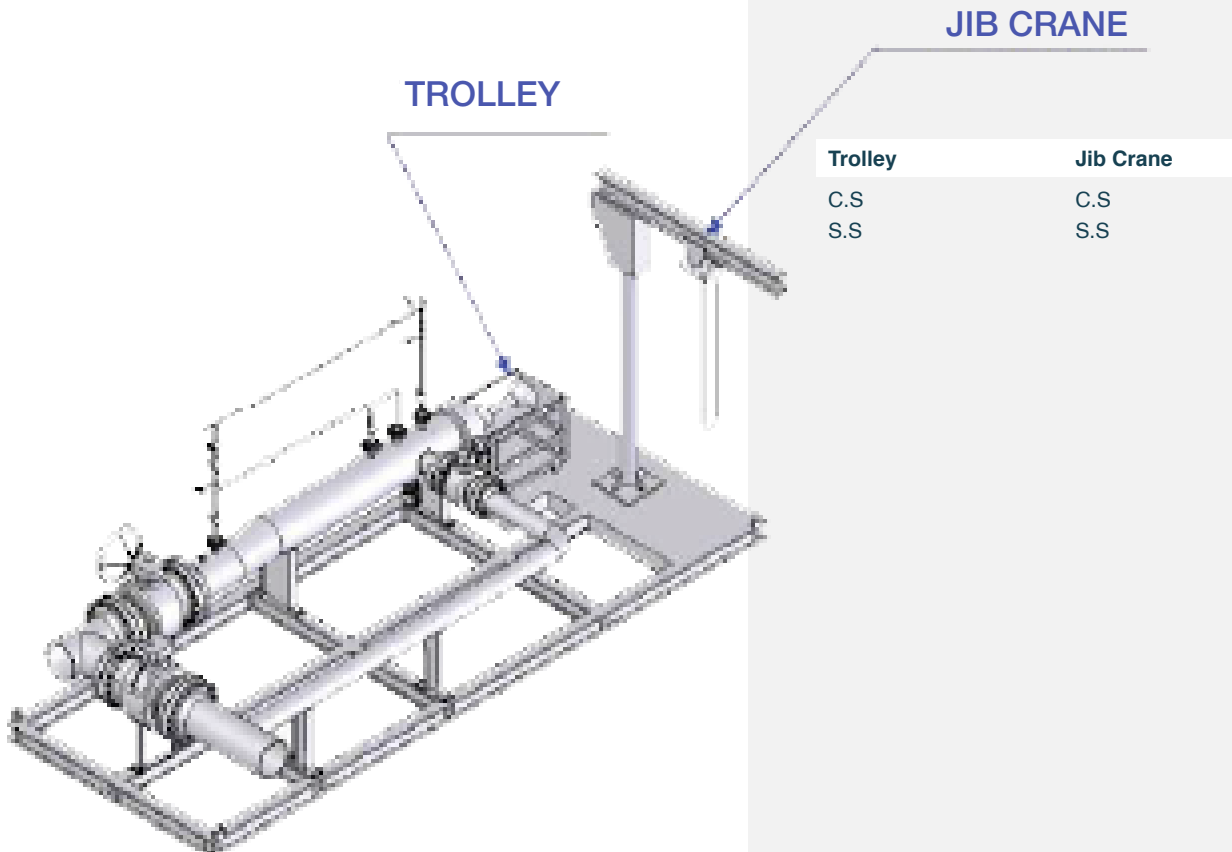
Trunk	Flange	Closure	Pig Signal	Support	Seal
API 5L	ANSI B	P460NL1	Pig Signal	A516	PUR VITON
A105	16-5	A150	Assembly		
A181	A350-L2		(PTFE, API		
A182/A182 M-98			5L X52,		
(F1, F2, F5, F9, F11,			Bs970, SS,		
F12, F22, F304,			VITON,		
F304L, F316, F321,			INCONEL)		
F347, F348, F310)					
A350 (Lf1, Lf2, LF3)					

Product Benefits

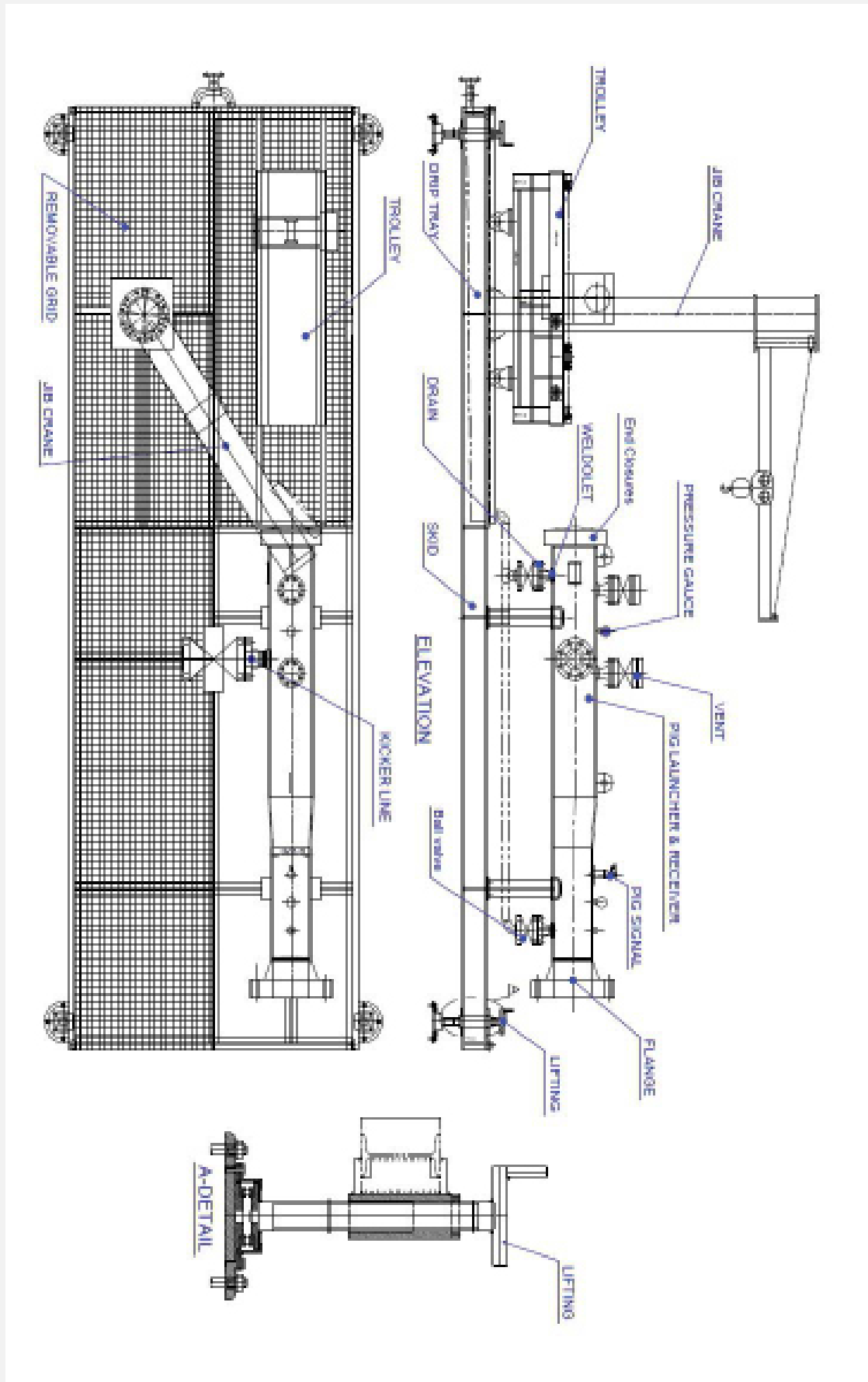
- Easy to use and install.
- You do not need a special tool or experience to install the pig handling system.
- Rhino™ pig receiver and launcher is made of corrosion resistant materials with long life duration.
- Rhino™ offers spare parts for all of its products during maintenance
- Rhino™ closures come with the two different choice of seals that is resistant to high pressure and prevent leak-ages.

Key Features

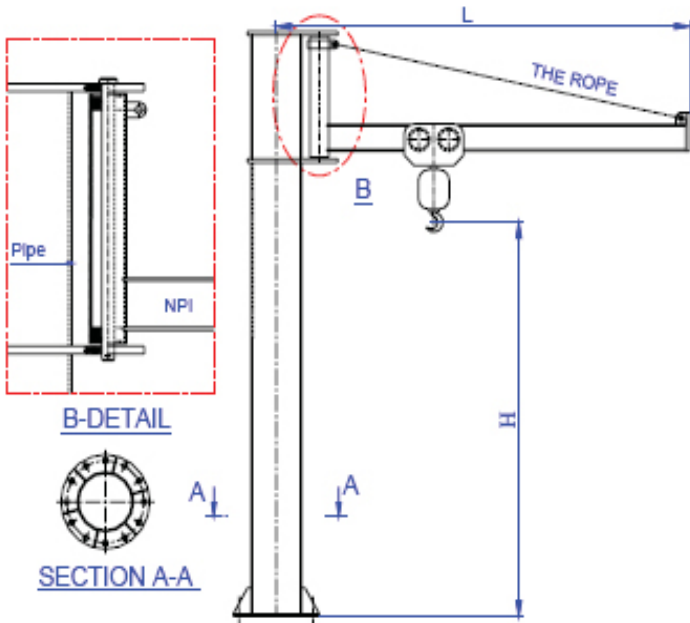
- Designed to ASME B31.4 , ASME B31.8 and ASME Section VIII Div. 1 Codes
- All pig receiver and launcher comes with the appropriate Rhino™ pig indicator.
- All pig receiver and launcher comes with the appropriate Rhino™ closures.
- All pig receiver and launcher comes with the sand blasted and primer coated and color of your choice.
- All welds are 100% inspected and tested
- All pig receiver and launcher are hydrostatically tested.



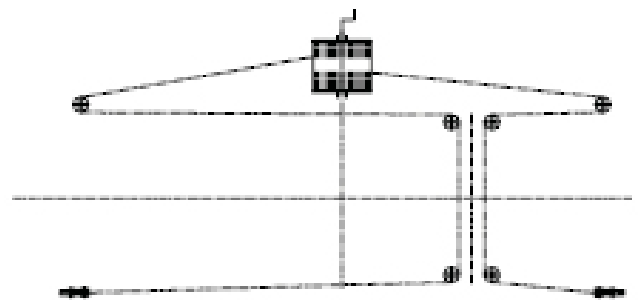
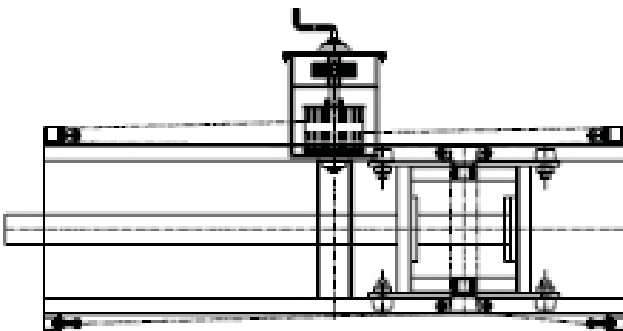
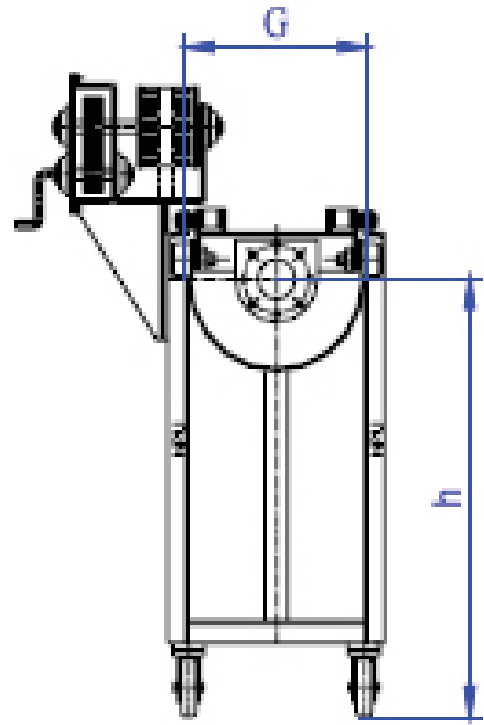
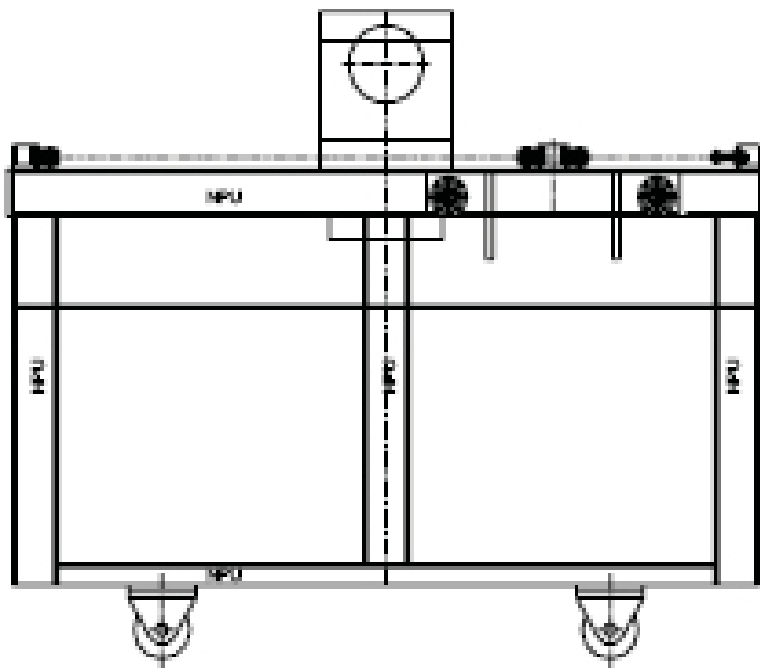
Complete Pigging System



Jib Crane



	H	L
1	4.500	4030
2	3.500	3000
3	2.500	2000





35.000
SQUARE METER
MANUFACTURING
SPACE



300+
EMPLOYEES



40
YEARS
OF EXPERIENCE



4 MAIN
OFFICE



200+
DIVERSE RANGE
PRODUCTS



30+
INTERNATIONAL
REPRESENTATIVES



QUALITY
CERTIFICATES



AT 4
REGIONS



Äger GmbH

Germany Head Office + R&D + Sales

Herzogspitalstraße 24
Munich 80331
Germany
+49 89 9040 5200
www.aager.de
sales@aager.de

Turkey Head Office + Sales

Ağaoğlu My Office 212
No: 3 B Blok /175
P.K 34218 Güneşli – Bağcılar
Istanbul / Turkey
+90 212 485 40 07
+90 212 485 40 42
www.ergil.com
sales@ergil.com

Turkey Factory + Engineering + R&D + Sales

Mersin Tarsus OSB.13.CD.NO:7
P.K: 33540 Mersin, Turkey
+90 324 676 44 04
+90 324 676 44 03
sales@ergil.com

U.A.E. Sales + Warehouse

Jumeirah Lake Towers, X2 Tower 1906
P.O. Box: 123661 Dubai, U.A.E.
+971 4 450 8051
+971 4 450 8041
sales@ergil.com

data sheet series

Skid Mounted Complete
Pigging System

Revision No: 01
ER-DS-PS-02.24/V1
ergil.com

F e b 2024

