

Product Description

Rhino Process Equipment provides pig signals / indicators for pipeline industry for the extreme conditions. Rhino pig indicator is a device that is used on a pipeline to show an indication to operator during the pipeline pigging. Rhino Pig Indicator is a economical solution that can be applied all kind of pigging systems.

Product Benefits

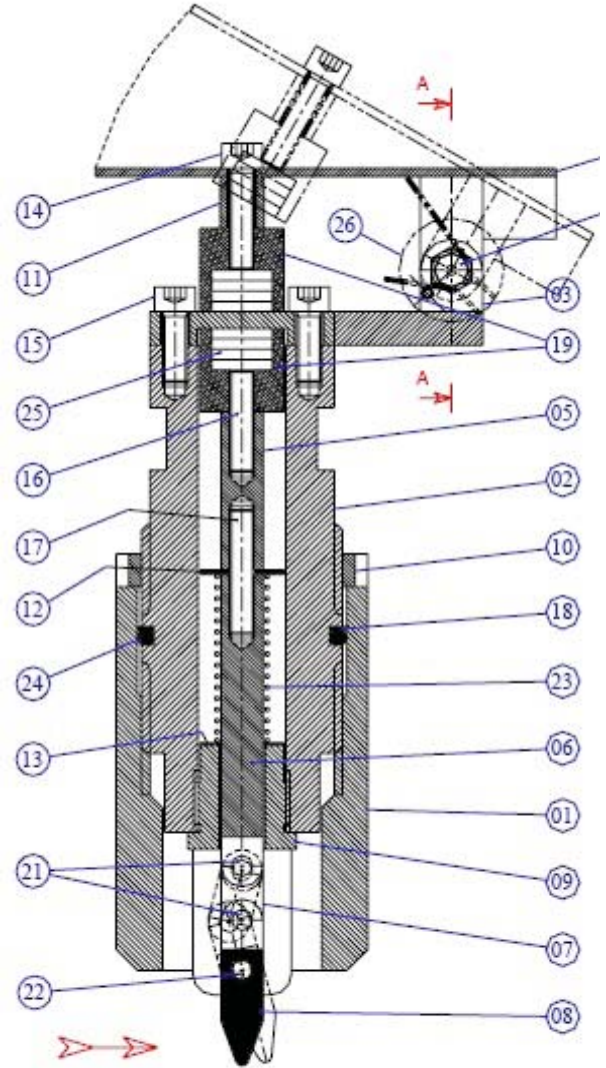
- Easy to use and install, can be applied all kind of pigging systems.
- You do not need a special tool or experience to install the pig indicator.
- Rhino™ pig indicator is made of corrosion resistant materials with long life duration.

Key Features

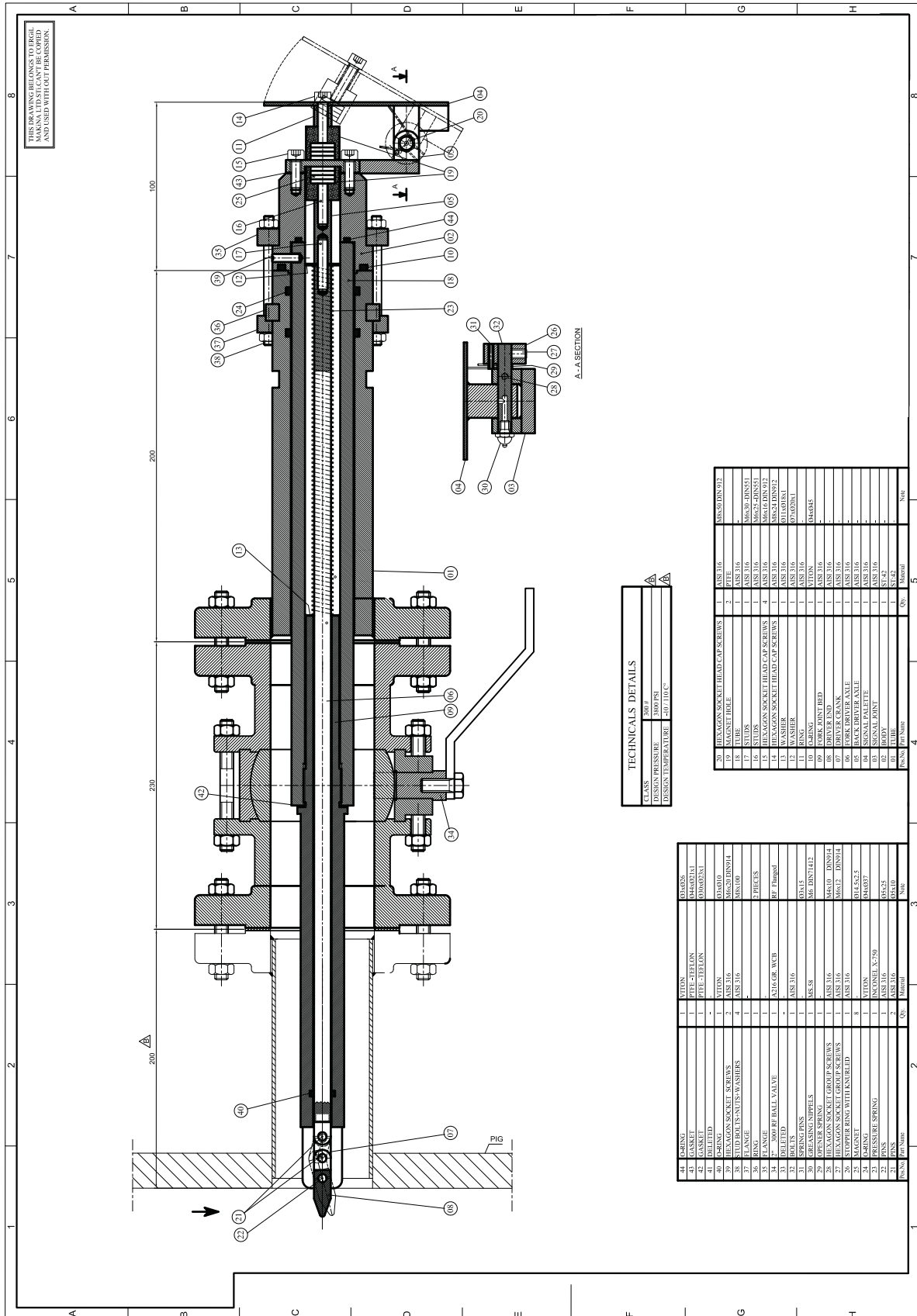
- Special materials and O-Ring seals are available on request.
- All pig indicators are specially painted.
- Pig indicators can be hydrostatically tested on request.
- Rhino™ offers spare parts for all of its products during maintenance.
- Internal inspection and test certificates will be provided for each item.

Dimension and Weights

Pos. No	Part Name	Quantity	Material
01	Tube	1	AISI 316 ~ 304
02	Body	1	ST42
03	Signal Joint	1	AISI 316 ~ 304
04	Signal Palette	1	AISI 316 ~ 304
05	Back Driver Axle	1	AISI 316 ~ 304
06	Fork Driver Axle	1	AISI 316 ~ 304
07	Driver Crank	1	AISI 316 ~ 304
08	Driver End	1	AISI 316 ~ 304
09	Fork Joint Bed	1	AISI 316 ~ 304
10	Safety Nut With Lock	1	AISI 316 ~ 304
11	Ring	1	AISI 316 ~ 304
12	Washer	1	AISI 316 ~ 304
13	Washer	1	AISI 316 ~ 304
14	Hexagon Socket Head Cap Screws	1	AISI 316 ~ 304
15	Hexagon Socket Head Cap Screws	4	AISI 316 ~ 304
16	Studs	1	AISI 316 ~ 304
17	Studs	1	AISI 316 ~ 304
18	Anti Extrusion Ring	1	PTFE
19	Magnet Hole	2	PTFE
20	Hexagon Socket Head Cap Screws	1	AISI 316 ~ 304
21	Pins	2	AISI 316 ~ 304
22	Pins	1	AISI 316 ~ 304
23	Pressure Spring	1	INCONEL X-750
24	O-Ring	1	VITON
25	Magnet	8	-
26	Stopper Ring With Knurlet	1	AISI 316 ~ 304
27	Hexagon Socket Head Cap Screws	1	AISI 316 ~ 304
28	Hexagon Socket Head Cap Screws	1	AISI 316 ~ 304
29	Opener Spring	1	-
30	Greasing Nipples	1	MS58
31	Spring Pins	-	-
32	Bolts	1	AISI 316 ~ 304



Technical details of underpressure pig signal



TECHNICALS DETAILS	
CLASS	300 P
DESIGN PRESSURE	3000 PSI
DESIGN TEMPERATURE	-20 / 110 C

NO	DESCRIPTION	QTY	UNIT	REMARKS
44	O-RING	1	PIECE	316
45	GASKET	1	PIECE	316
46	GASKET	1	PIECE	316
47	O-RING	1	PIECE	316
48	HEXAGON SOCKET SCREWS	2	PIECES	M6x20 DIN914
49	HEXAGON SOCKET SCREWS	4	PIECES	M8x10
50	WASHER	2	PIECES	316
51	FLANGE	1	PIECE	316
52	300 P BALL VALVE	1	PIECE	316
53	SPRING PIN	1	PIECE	316
54	SPRING PIN	1	PIECE	316
55	SPRING PIN	1	PIECE	316
56	HEXAGON SOCKET GROUP SCREWS	1	PIECE	M6x10 DIN914
57	HEXAGON SOCKET GROUP SCREWS	1	PIECE	M6x12 DIN914
58	WASHER RING WITH KENNEL	8	PIECES	316
59	WASHER RING WITH KENNEL	1	PIECE	316
60	WASHER RING WITH KENNEL	1	PIECE	316
61	WASHER RING WITH KENNEL	1	PIECE	316
62	WASHER RING WITH KENNEL	1	PIECE	316
63	WASHER RING WITH KENNEL	1	PIECE	316
64	WASHER RING WITH KENNEL	1	PIECE	316

NO	DESCRIPTION	QTY	UNIT	REMARKS
19	HEXAGON SOCKET HEAD CAP SCREWS	1	PIECE	M8x30 DIN913
20	MAGNET HOLE	2	PIECE	316
21	TUBE	1	PIECE	316
22	TUBE	1	PIECE	316
23	WASHER	1	PIECE	316
24	HEXAGON SOCKET HEAD CAP SCREWS	4	PIECES	M6x16 DIN913
25	HEXAGON SOCKET HEAD CAP SCREWS	1	PIECE	M6x24 DIN913
26	WASHER	1	PIECE	316
27	WASHER	1	PIECE	316
28	DRIVER CRANK	1	PIECE	316
29	DRIVER CRANK	1	PIECE	316
30	DRIVER CRANK	1	PIECE	316
31	DRIVER CRANK	1	PIECE	316
32	DRIVER CRANK	1	PIECE	316
33	DRIVER CRANK	1	PIECE	316
34	SIGNAL PALLETTE	1	PIECE	316
35	SIGNAL POINT	1	PIECE	316
36	WASHER	1	PIECE	316
37	WASHER	1	PIECE	316
38	WASHER	1	PIECE	316
39	WASHER	1	PIECE	316
40	WASHER	1	PIECE	316
41	WASHER	1	PIECE	316
42	WASHER	1	PIECE	316
43	WASHER	1	PIECE	316
44	WASHER	1	PIECE	316
45	WASHER	1	PIECE	316
46	WASHER	1	PIECE	316
47	WASHER	1	PIECE	316
48	WASHER	1	PIECE	316
49	WASHER	1	PIECE	316
50	WASHER	1	PIECE	316
51	WASHER	1	PIECE	316
52	WASHER	1	PIECE	316
53	WASHER	1	PIECE	316
54	WASHER	1	PIECE	316
55	WASHER	1	PIECE	316
56	WASHER	1	PIECE	316
57	WASHER	1	PIECE	316
58	WASHER	1	PIECE	316
59	WASHER	1	PIECE	316
60	WASHER	1	PIECE	316
61	WASHER	1	PIECE	316
62	WASHER	1	PIECE	316
63	WASHER	1	PIECE	316
64	WASHER	1	PIECE	316

Dimension and Weights