

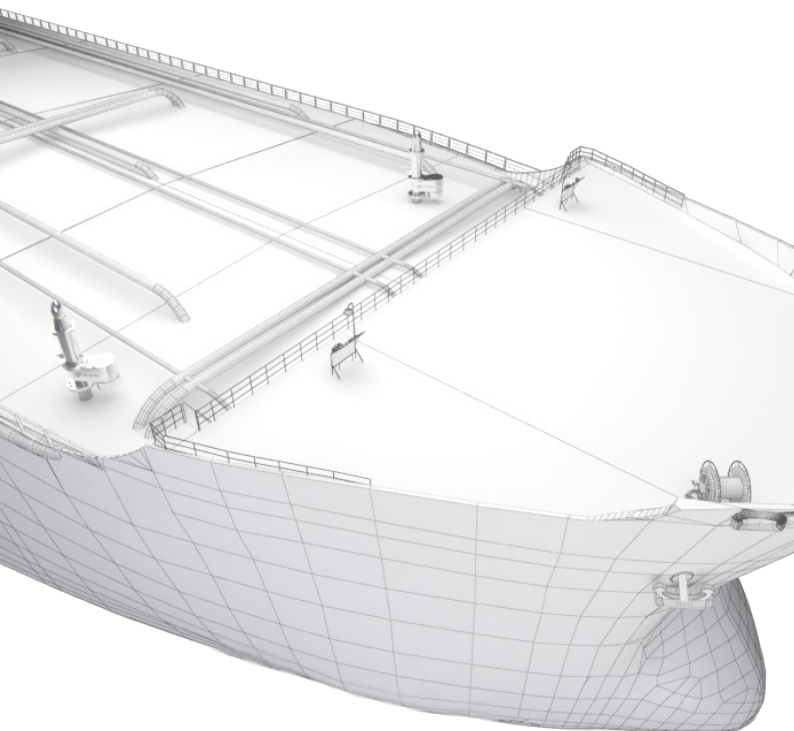
High Velocity Pressure Vacuum Valve



Model 170

Product Description

Product IMO / MSC Circulars 677/1009 Compliant with all the regulations and conditions specified in ISO 15364, ER-GIL High-Speed Pressure / Vacuum Valve provides active protection against fire and explosion on the deck. If used SS316, it increases the resistance against extreme weather conditions. Being at least 30m /s of the gas exit velocity of the inside is evacuated and closed without taking the spark to the ship's deck. The vacuum top cover on the product which will provide extra safety during tank filling/emptying and cleaning. The vacuum top cover is closed with flame curtain and there is no flame entry inside. The pressure and vacuum arms offered to the manual service are an option to remove sudden freezing conditions that may occur in adverse weather conditions. The product minimizes gas loss. Usable compact material and design provide a long maintenance-free cycle. Depending on the storage capacity of the tank, a pressure change calculation is made and can be manufactured with a non-standard boundary pressure value as required.

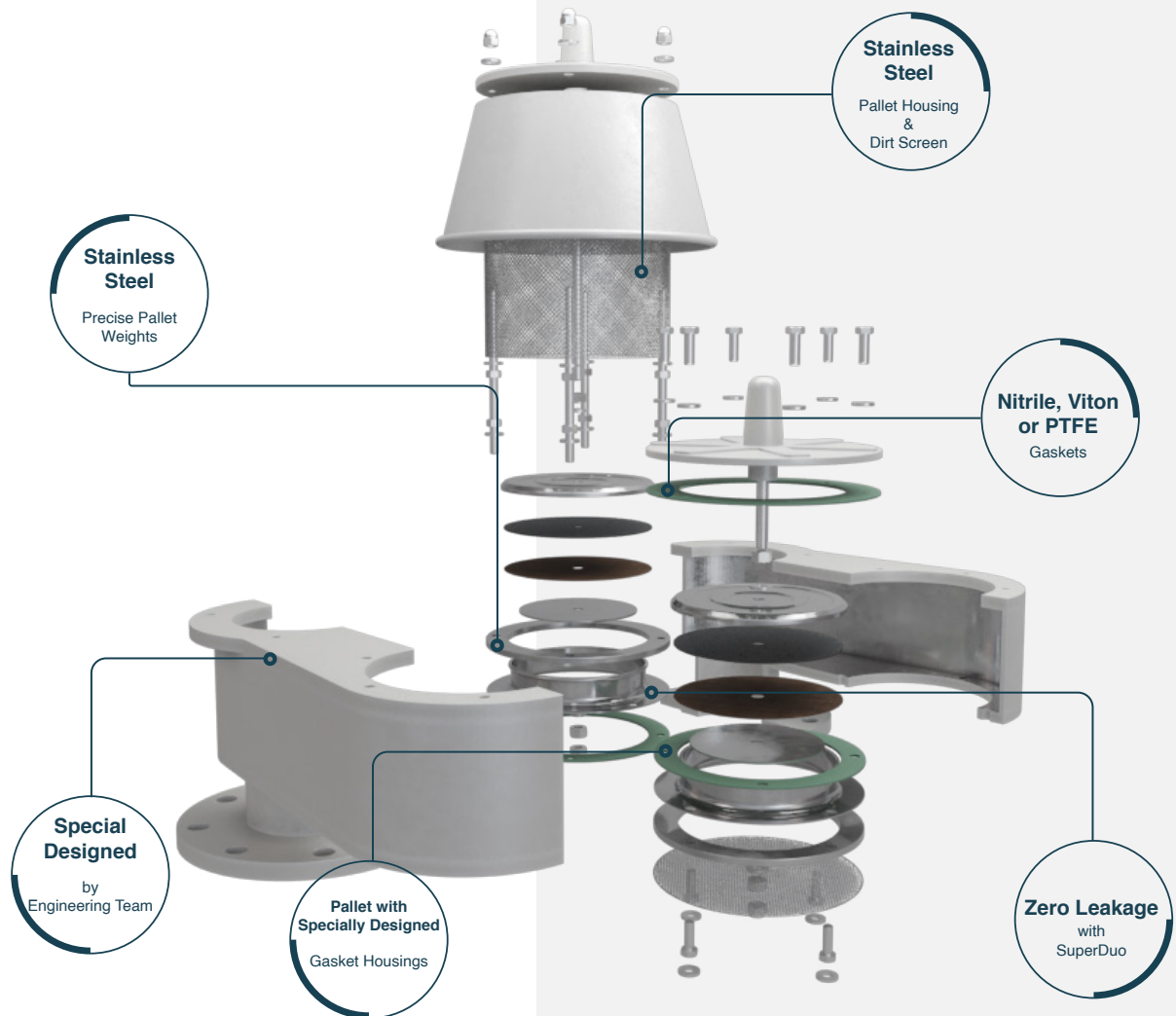


With 40 years of experience, Storagetech™ PVV systems offer effective solutions against unwanted evaporation and vacuums that may occur in tanks.

Thanks to PVV solutions produced completely in accordance with international norms, Storagetech™ is a reliable, sustainable and effective solution partner for your investments.

Manufacturing Materials

Housing	Seal/Pallet	Pallet Seal	Hardware	Weights	Gaskets
Cast Aluminum	Aluminum	FEP Teflon	304 S.S.	Carbon Steel	Compressed Fiber
304 S.S.	304 S.S.		316 S.S.	304 S.S.	Clinger
316 S.S.	316 S.S.			316 S.S.	
				Lead	



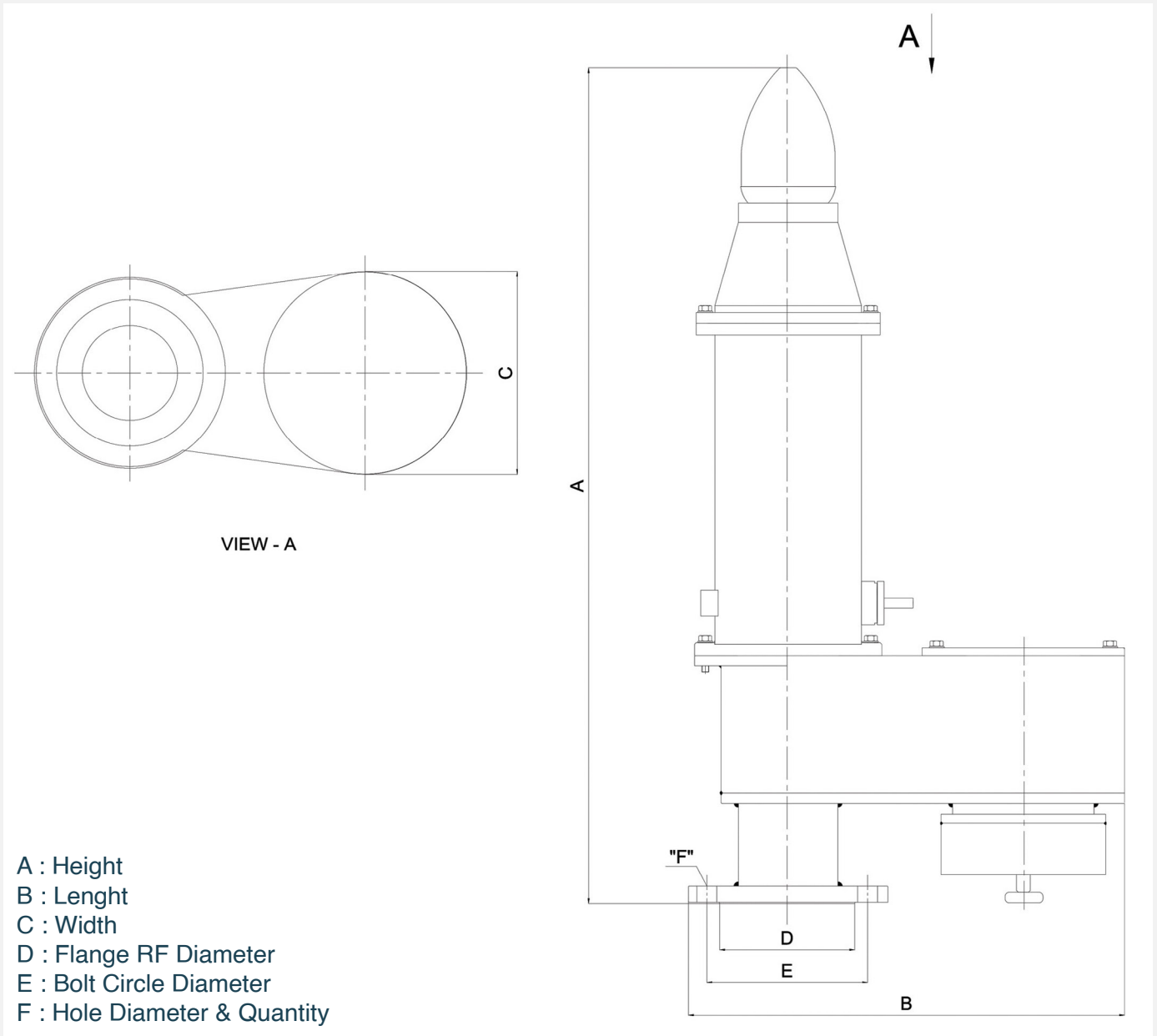
Key Features

- The design is lighter compared to other competitors.
- The magnetic field created in the body, a special design flame-retarding curtains mounted on the lower vacuum and upper discharge points of the device provide a safe environment in order to prevent glare and flaming that may occur outside the tank from leaking into the tank.
- No need for internal maintenance.
- It can be used without detachability except for control, cleaning and maintenance.
- The cargo for steam burning meets the new IMO and MED requirements (MESG 0.9 & 0.65 mm).

Why do you need a high velocity pressure vacuum valve?

- Prevents unwanted gas escaping; minimize product loss and protects the environment.
- Blocks flame entering to tank.
- Provides lower flammable limit by realizing the gas above the flammable range.
- Provides safe working environment on the ship deck.
- Minimize odour threshold.
- Reduce noise during loading & unloading.

Technical Drawing



Weight & Dimensions

SIZE		A	B	C	D		E		F	
NPS	DN				ANSI 150# RF	PN 16	ANSI 150# RF	PN 16	ANSI 150# RF	PN 16
3"	80	705	375	180	127	138	152.4	160	Ø19x4	Ø18x8
4"	100	960	500	233	157.2	158	190.5	180	Ø19x8	Ø18x8
6"	150	1250	650	300	216	212	241.3	240	Ø22x8	Ø22x8

Äger GmbH

Germany Head Office + R&D + Sales

Herzogspitalstraße 24
Munich 80331
Germany
+49 89 9040 5200
www.aager.de
sales@aager.de

Turkey Head Office + Sales

Ağaoğlu My Office 212
No: 3 B Blok /175
P.K 34218 Güneşli – Bağcılar
Istanbul / Turkey
+90 212 485 40 07
+90 212 485 40 42
www.ergil.com
sales@ergil.com

Turkey Factory + Engineering + R&D + Sales

Mersin Tarsus OSB.13.CD.NO:7
P.K: 33540 Mersin, Turkey
+90 324 676 44 04
+90 324 676 44 03
sales@ergil.com

U.A.E. Sales + Warehouse

Jumeirah Lake Towers, X2 Tower 1906
P.O. Box: 123661 Dubai, U.A.E.
+971 4 450 8051
+971 4 450 8041
sales@ergil.com

data sheet series

High Velocity
Pressure Vacuum Valve

Revision No: 02
ST-DS-HVPVV-04.21/V2
storagetech.de

April 2021

