

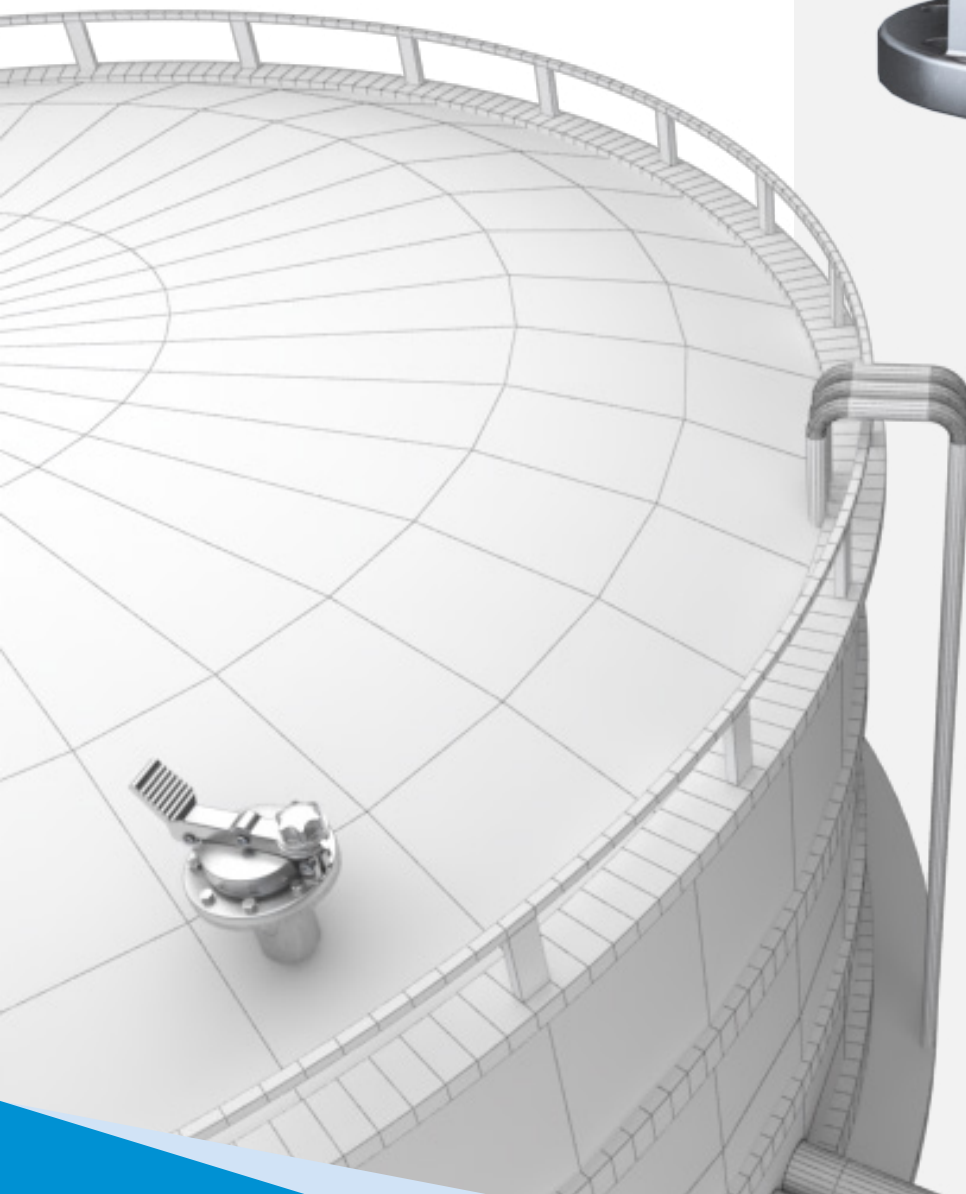
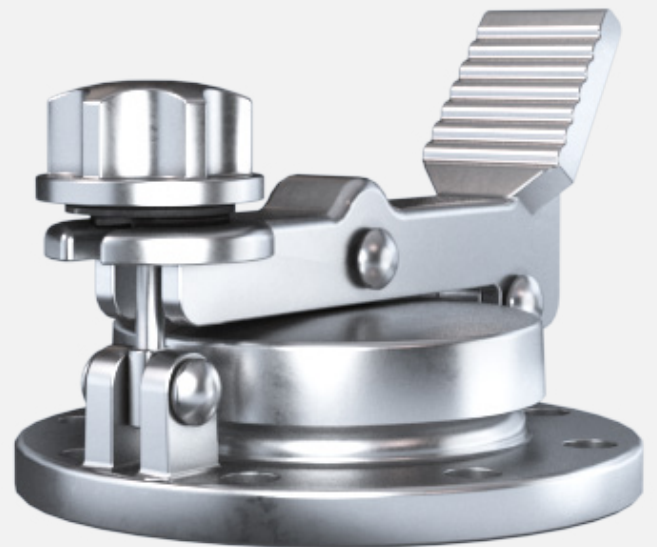
Locking Type Gauge Hatch



Model 210

Product Description

Storagetech™ Gauge Hatch Model Number 210 is a safety device that has a cover structure that incorporates a pallet/diaphragm combination and that is cooperatively associated with a pressure responsive liquid seal sub-assembly.



The lock system prevents unauthorized access to the storage tank.

They are typically mounted to a flange, which connects the vapor space of a storage tank.

Gauge hatches can be set to your specifications so that the pallet assemblies in the housings open when specific pressure and vacuum levels are reached.

Manufacturing Materials

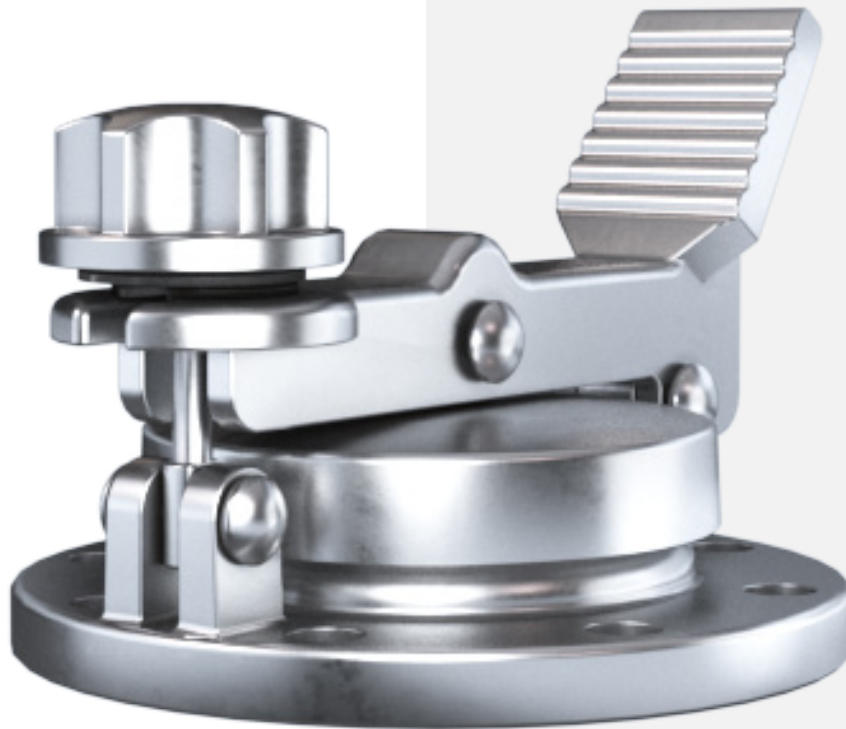
Housing / Lid / Arm / Handle	Weight	Gaskets
Carbon Steel	Zinc	Neoprone
304 S.S.	304 S.S.	
316 S.S.	316 S.S.	
Aluminum	Aluminum	

Certificates & Standards



Product Benefits

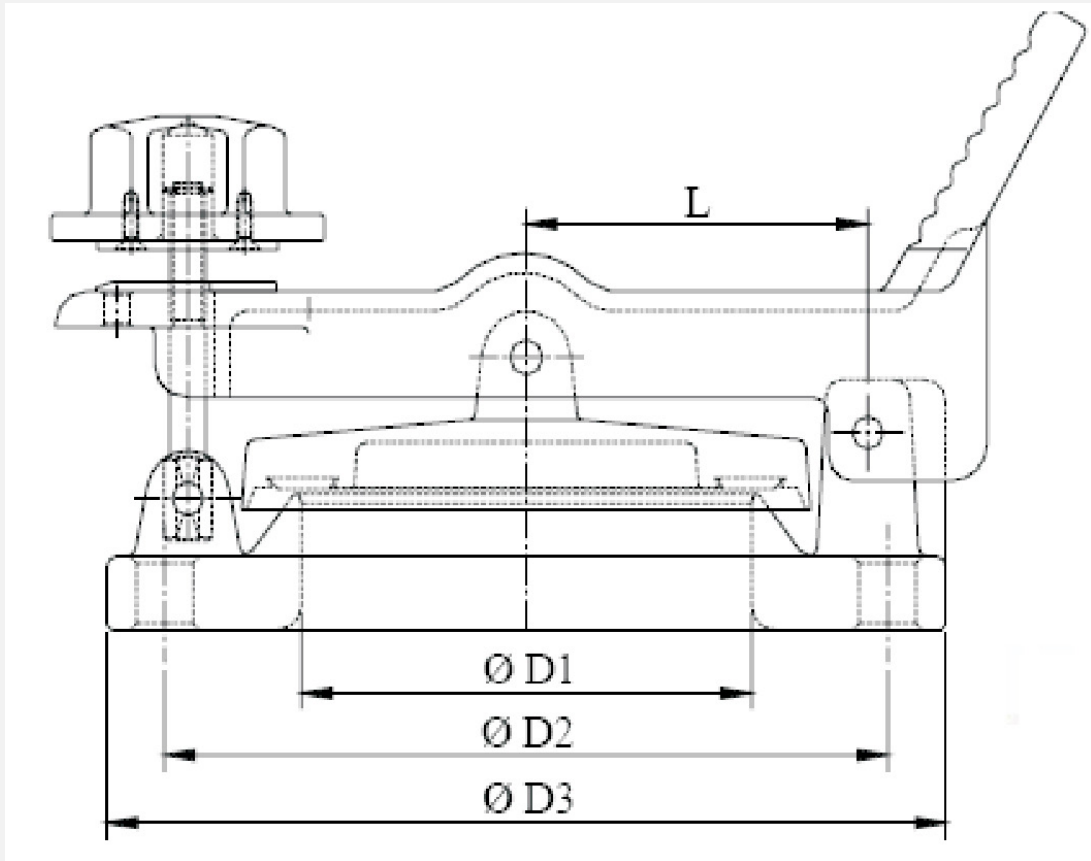
- StorageTech gauge hatch prevents evaporation losses.
- Protect s environment. Model Number 210 prevents green house gasses from mixing the atmosphere, and minimizes the product odors around the surrounding area.
- Gauge Hatch provides safety for your storage facility. Model Number 210 protects your storage tank.
- Provides tank access where manual level gauging, temperature measurement or sampling is required.
- Lockable cover prevents unauthorized access to the storage tank.



Key Features

- StorageTech Model Number 210 provides Teflon seal for a longer service period, and reduce the spare cost. Locking-systems is durable against petro chemical vapors.
- Non-sparking design.
- Foot pedal helps you to open the cover without using your hands, and lockable cover.
- Easy to install. You do not need a special tool or experience to install the StorageTech Model 210.
- StorageTech Model 210 comes with the paint color you choose.

Technical Drawing



Weight & Dimensions

Model	Size (Inch)	D1 (mm)	D2 (mm)	D3 (mm)	L (mm)	WELDED (kg)		CASTING (kg)		
						CS	SS	AL	CS	SS
210	3"	83	152	195	86	5,5-6,5	5,5-6,5	2,5-3,5	7,5-10,5	7,5-10,5
210	4"	102	190	226	96	7-8	7-8	4,5-5,5	13-17	13-17
210	6"	150	242	280	114	12-14	12-14	6-7	18-21	18-21
210	8"	198	295	338	155	15-17	15-17	7-8	21-24	21-24
210	10"	254.5	362	406.4	194	-	-	-	-	-

Äger GmbH

Germany Head Office + R&D + Sales

Herzogspitalstraße 24
Munich 80331
Germany
+49 89 9040 5200
www.aager.de
sales@aager.de

Turkey Head Office + Sales

Ağaoğlu My Office 212
No: 3 B Blok /175
P.K 34218 Güneşli – Bağcılar
Istanbul / Turkey
+90 212 485 40 07
+90 212 485 40 42
www.ergil.com
sales@ergil.com

Turkey Factory + Engineering + R&D + Sales

Mersin Tarsus OSB.13.CD.NO:7
P.K: 33540 Mersin, Turkey
+90 324 676 44 04
+90 324 676 44 03
sales@ergil.com

U.A.E. Sales + Warehouse

Jumeirah Lake Towers, X2 Tower 1906
P.O. Box: 123661 Dubai, U.A.E.
+971 4 450 8051
+971 4 450 8041
sales@ergil.com

data sheet series

Locking Type
Gauge Hatch

Revision No: 02
ST-DS-LTGH-04.21/V2
storagetech.de

April 2021

Storagetech™ Website
QR Code

