

Foam Sprinklers



Model 1080

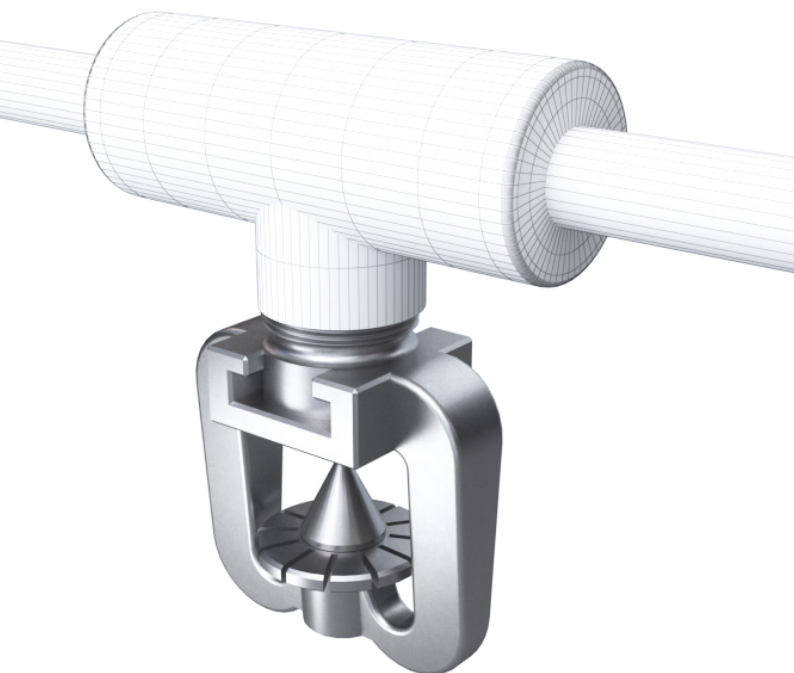
Product Description

A fire sprinkler is the part of a fire sprinkler system that discharges water or foam when the effects of a fire have been detected, such as when a predetermined temperature has been reached.

Model Number 1080 sprinklers are designed for fire fighting for water and foam applications. Sprinklers are designed and manufactured for your special needs.

StorageTech™ provides complete design, manufacturing and installation of sprinkler systems for industrial plants.

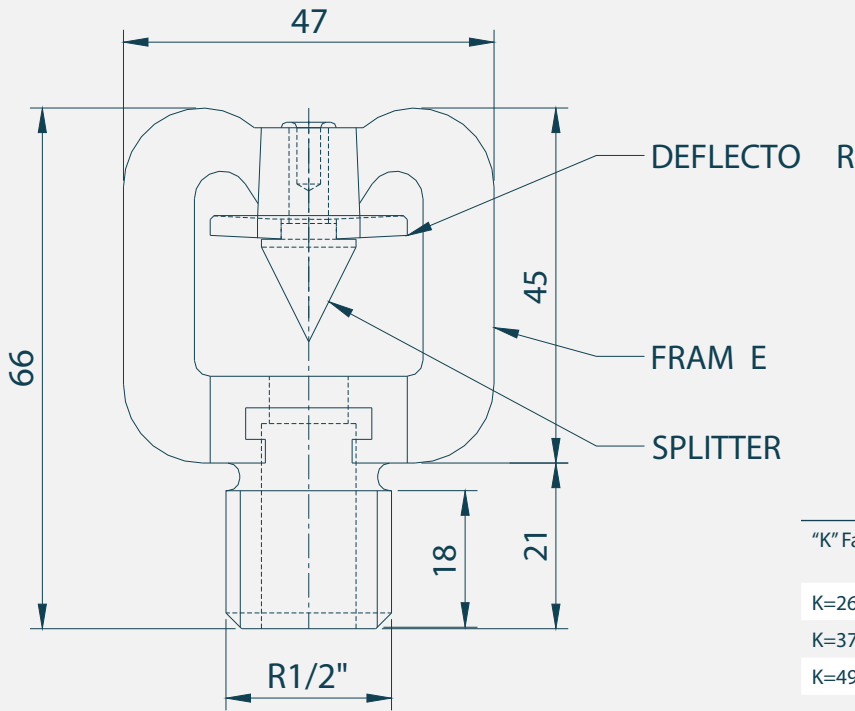
StorageTech™ follows fire sprinkler application and installation guidelines, and overall fire sprinkler system design guidelines, provided by the National Fire Protection Association (NFPA) 13, (NFPA) 13D, and (NFPA) 13R.



Key Features

- Design data obtained from tests in still air.
- Design data applies to a residual (flowing) pressure range at the nozzle inlet of 20 to 60 psi (1.4 to 4.1 bar). For pressures up to 175 psi (12.1 bar) consult the Technical Data Department. Refer to the authority having jurisdiction for the minimum required residual pressure.
- For axial distances of 2 feet (0.6 meters) and less and for nozzle.
- The shapes of the Design Spray Profiles remain essentially un-changed over the maximum Axial Distances shown on Pages 3 and 4.
- Spray angles of 65° to 140°, the Design Spray Profile is the same as the nominal spray angle.
- The maximum Axial Distances shown on Pages 3 and 4 are based on exposure protection.

Technical Drawing



"K" Factor	L Lengt	DN Connection	Weight kg.
K=26	46	½ ISO 7/1	0.15
K=37	46	½" ISO 7/1	015
K=49.9	46	½" ISO 7/1	0.15

Weight & Dimensions

Maximum Axial Distance for 125° Spray Angle In Feet and Inches							
Fixed Angle	Orifice Size						
	16	18	21	24	28	32	34
0°	10-6	12-6	13-0	13-3	14-6	15-0	6
30°	8-3	10-9	10-9	11-9	12-6	13-6	13-9
45°	7-3	10-0	10-0	11-9	11-6	12-6	12-9
60°	6-6	9-3	9-6	10-9	11-0	11-9	12-6
90°	6-0	8-6	9-0	10-3	10-6	10-9	11-6
120°	5-9	7-6	7-6	7-6	8-3	9-0	9-6
135°	5-6	6-0	6-3	6-6	7-0	8-0	8-6
150°	5-3	5-6	5-6	5-9	6-3	7-3	7-6
180°	5-0	5-0	5-0	5-6	5-9	6-6	7-0

Maximum Axial Distance for 125° Spray Angle In Feet and Inches							
Fixed Angle	Orifice Size						
	16	18	21	24	28	32	34
0°	4-6	5-0	6-6	7-9	10-0	10-3	10-6
30°	3-9	3-9	6-3	6-9	8-6	8-6	8-9
45°	3-0	3-6	5-9	6-0	7-9	7-6	8-3
60°	2-6	3-0	5-6	5-9	7-3	7-3	7-9
90°	2-0	2-9	4-9	5-0	5-9	6-0	6-6
120°	1-9	2-3	3-3	3-3	3-9	3-9	4-6
135°	1-6	1-9	2-6	2-6	3-3	3-3	3-9
150°	1-6	1-6	2-0	2-3	2-6	2-9	3-6
180°	1-3	1-3	1-9	2-0	2-3	2-6	3-3

Maximum Axial Distance for 80° Spray Angle In Feet and Inches							
Fixed Angle	Orifice Size						
	16	18	21	24	28	32	34
0°	9-0	10-6	11-0	12-0	13-0	14-0	14-0
30°	7-3	8-3	8-9	10-6	11-6	12-3	12-3
45°	6-3	7-6	8-0	10-3	10-6	11-3	11-3
60°	5-6	7-0	7-6	10-0	10-3	10-9	10-9
90°	5-0	6-0	7-0	9-3	9-6	9-9	10-0
120°	4-6	4-9	5-9	6-6	7-3	7-0	8-0
135°	4-3	4-6	5-0	5-6	6-0	6-3	6-9
150°	4-0	4-0	4-6	5-0	5-6	5-6	6-0
180°	3-9	3-9	4-0	4-6	4-9	5-3	5-6

Maximum Axial Distance for 140° Spray Angle In Feet and Inches							
Fixed Angle	Orifice Size						
	16	18	21	24	28	32	34
0°	4-0	4-6	6-0	6-6	8-0	8-0	8-0
30°	3-3	3-6	5-6	5-6	6-3	7-0	7-0
45°	2-9	2-9	5-0	5-0	5-6	6-6	6-6
60°	2-3	2-6	4-6	4-6	5-3	5-6	5-9
90°	1-9	2-3	4-0	4-0	4-6	4-6	5-0
120°	1-6	1-9	2-3	2-6	2-6	3-0	3-6
135°	1-3	1-6	1-6	1-9	2-0	2-6	2-9
150°	1-3	1-3	1-6	1-6	1-9	2-3	2-6
180°	1-0	1-0	1-3	1-3	1-6	2-0	2-3

Weight & Dimensions

Maximum Axial Distance for 95° Spray Angle In Feet and Inches							
Fixed Angle	Orifice Size						
	16	18	21	24	28	32	34
0°	7-0	7-9	9-6	10-6	11-0	12-0	12-6
30°	5-9	6-6	7-9	9-9	10-6	10-9	11-0
45°	5-3	6-3	7-0	9-6	9-9	10-3	10-3
60°	4-9	6-0	6-9	9-3	9-6	9-9	9-9
90°	4-0	5-0	6-6	8-3	8-6	8-9	8-9
120°	3-6	3-9	5-0	5-3	6-3	6-0	6-6
135°	3-3	3-6	4-0	4-6	5-3	5-3	5-6
150°	3-0	3-0	3-6	4-0	4-6	4-6	4-9
180°	3-0	3-0	3-3	3-9	4-0	4-3	4-6

Maximum Axial Distance for 160° Spray Angle In Feet and Inches							
Fixed Angle	Orifice Size						
	16	18	21	24	28	32	34
0°	3-6	3-9	4-9	5-0	6-0	6-9	7-0
30°	2-9	3-0	4-3	4-6	5-0	5-9	6-3
45°	2-3	2-6	3-9	4-0	4-6	5-3	5-6
60°	1-9	2-3	3-6	3-9	4-3	4-9	5-3
90°	1-3	1-9	3-0	3-3	3-6	3-9	4-3
120°	1-0	1-3	1-6	2-0	2-0	2-3	2-6
135°	1-0	1-0	1-3	1-3	1-6	1-9	2-0
150°	0-9	0-9	1-0	1-0	1-6	1-6	1-9
180°	0-9	0-9	0-9	0-9	1-3	1-6	1-6

Maximum Axial Distance for 110° Spray Angle In Feet and Inches							
Fixed Angle	Orifice Size						
	16	18	21	24	28	32	34
0°	6-0	7-0	9-0	9-6	11-0	11-3	11-6
30°	5-3	6-3	7-3	8-9	9-6	9-9	10-0
45°	4-9	5-9	6-6	8-6	9-0	9-0	9-3
60°	4-3	5-6	6-3	8-3	8-6	8-6	8-9
90°	3-6	4-6	5-9	7-6	7-6	7-6	7-9
120°	2-9	3-3	4-6	4-6	5-6	5-6	5-6
135°	2-6	2-9	3-6	3-6	4-6	4-6	4-9
150°	2-3	2-6	3-0	3-3	3-6	3-9	4-3
180°	2-3	2-3	2-9	3-0	3-3	3-6	3-9

Maximum Axial Distance for 180° Spray Angle In Feet and Inches							
Fixed Angle	Orifice Size						
	16	18	21	24	28	32	34
0°	2-9	3-0	3-6	3-6	4-0	6-0	6-0
30°	2-3	2-3	3-6	3-6	3-9	5-0	5-0
45°	1-9	2-0	3-3	3-3	3-6	4-3	4-3
60°	1-6	1-9	2-9	2-9	3-3	3-9	3-9
90°	1-0	1-6	2-0	2-0	2-6	3-0	3-0
120°	0-9	1-0	1-0	1-0	1-6	1-6	1-6
135°	0-6	0-9	0-9	0-9	1-3	1-3	1-3
150°	0-6	0-6	0-6	0-6	1-0	1-0	1-0
180°	0-6	0-6	0-6	0-6	0-9	0-9	0-9

Äger GmbH

Germany Head Office + R&D + Sales
Herzogspitalstraße 24
Munich 80331
Germany
+49 (0) 89 1250 15240
www.aager.de
sales@aager.de

Turkey Head Office + Sales
Ağaoğlu My Office 212
No: 3 B Blok /175
P.K 34218 Güneşli – Bağcılar
Istanbul / Turkey
+90 212 485 40 07
+90 212 485 40 42
www.ergil.com
sales@ergil.com

Turkey Factory + Engineering + R&D
+ Sales
Mersin Tarsus OSB.13.CD.NO:7
P.K: 33540 Mersin, Turkey
+90 324 676 44 04
+90 324 676 44 03
sales@ergil.com

U.A.E. Sales + Warehouse
Jumeirah Lake Towers, X2 Tower 1906
P.O. Box: 123661 Dubai, U.A.E.
+971 4 450 8051
+971 4 450 8041
sales@ergil.com

data sheet series

Foam
Sprinklers

Revision No: 01
ST-DS-FS-01.25/V1
storagetech.de

January 2025

Storagetech™ Website
QR Code

