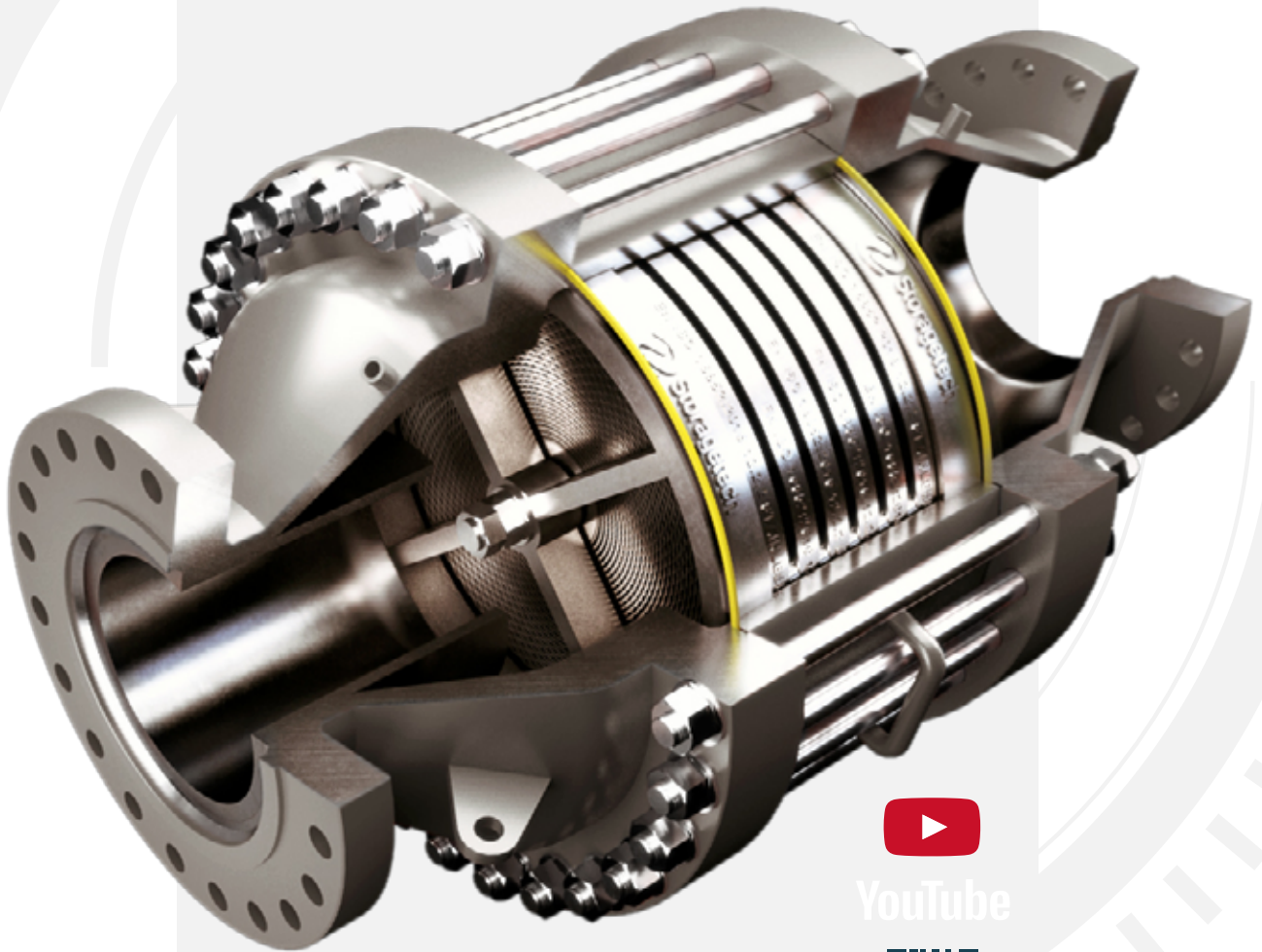


Flame ARRESTER



YouTube



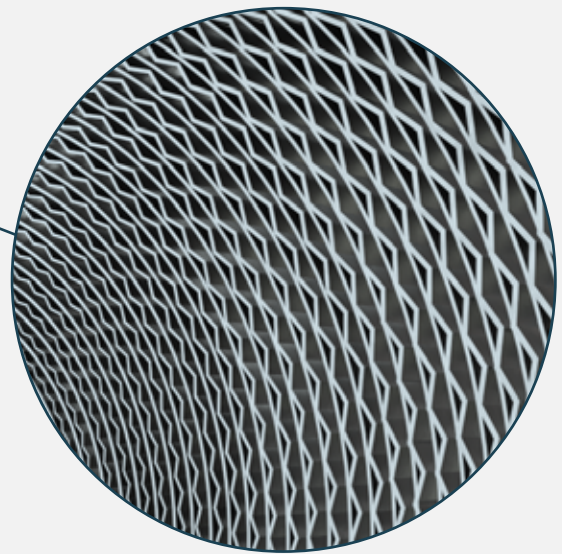
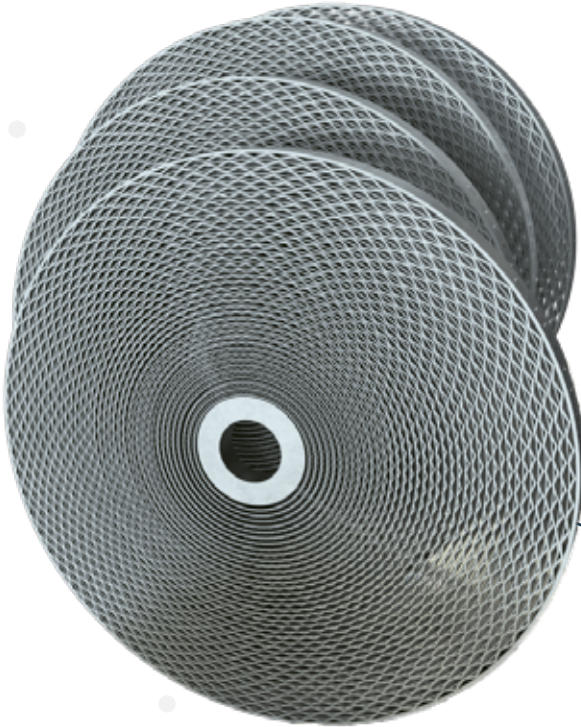
Certificates & Standards





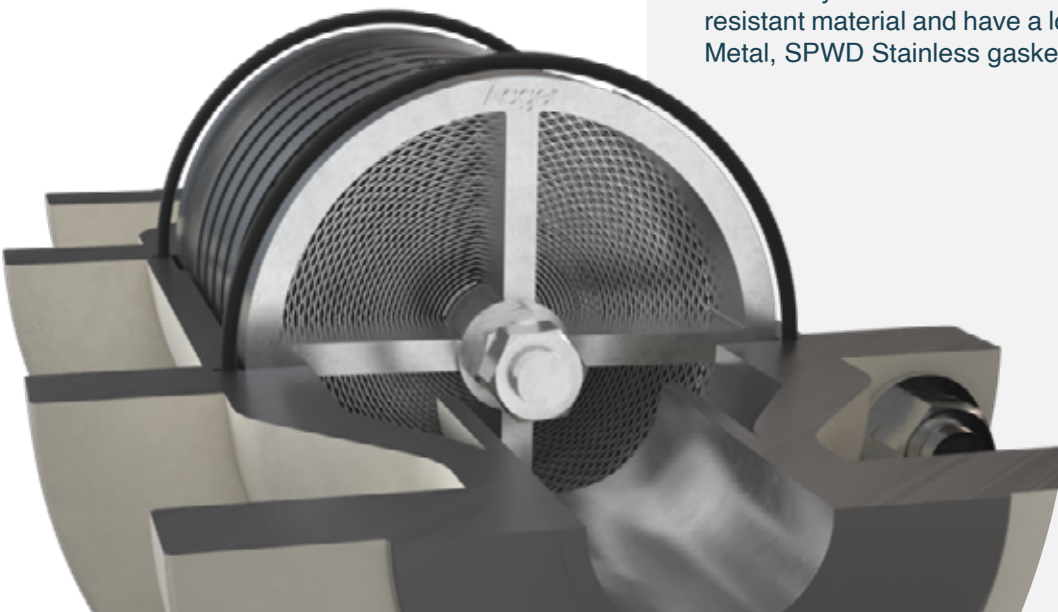
High Quality Flame Arrester Elements

Storagetech™ uses high quality Flame Arrester Elements in order to prevent corrosion and increase the durability of the discs. Multiple usage of internal flame cell element; reduces the risk of malfunction. Provides much better protection. Thanks to the winding technology developed by Storagetech™; MESG (Maximum Experimental Safe Gap) on the discs are created to achieve maximum performance. A homogeneous surface provides a better gas passage and prevent differential pressure drop points.



Robust Shock Absorber Design

Storagetech™ Flame Arrester has durable and robust design to prevent flame and shock waves which maybe transferred through the pipeline. Excellent gas tight performance. Gaskets are neither affected by heat nor corrosions effects. All seals are made of heat resistant material and have a long service life. Buna-N, PTFE, Soft Metal, SPWD Stainless gaskets are available.





Asme & En Standarts



All Storagetech™ Flame Arresters are ATEX certified for up to 18”

Storagetech™ Flame Arresters; design, engineering and tests are carried out according to ASME and EN norms as well as international codes as per client specs. ASME U-Stamp, PED Certification, MILLTest Certification and code compliant productions can be performed.



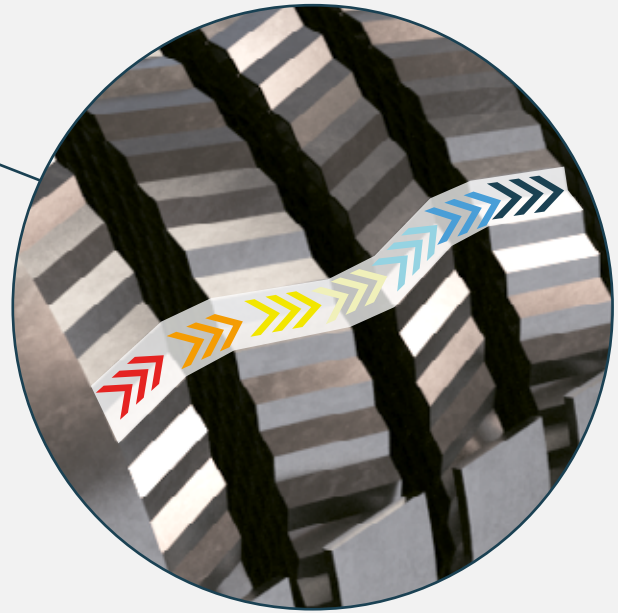
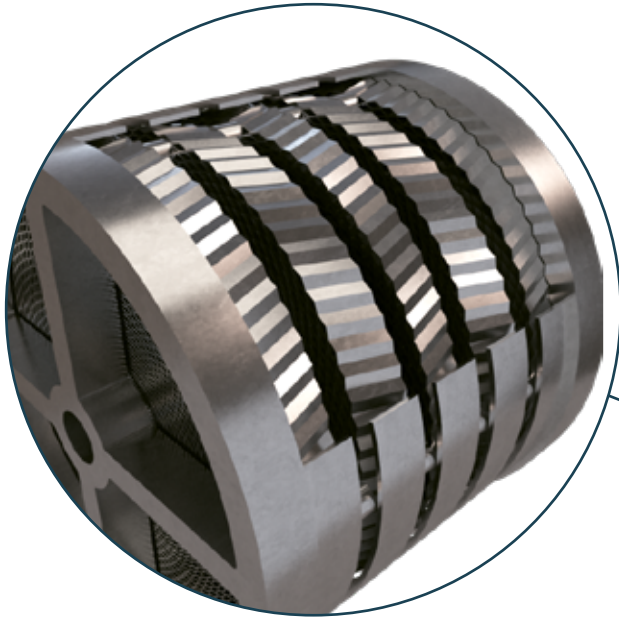
Easy Assembling & Maintenance

Storagetech™ Flame Arresters are easy to remove, maintain and assembling. Its unique design enables to remove Core itself by not removing whole equipment therefore no need renew connection gaskets each time.



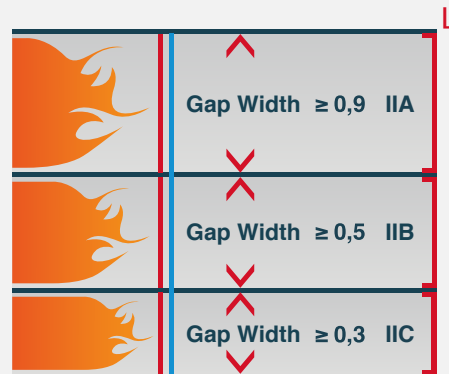
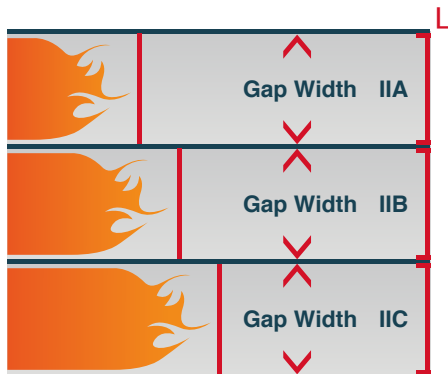
Reverse Windings

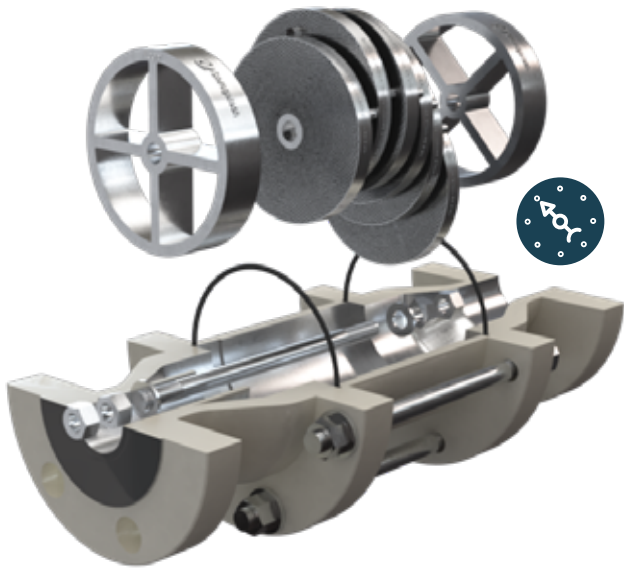
Reverse winding technology provide better protection by extending the path for flame. Opposite angles help to keep the flame length under control by extending the path. Provide the damping of the flame with the effect of changing the direction.



Mesg Explosion Groups

Each type of gas has different flame spread characteristics. Storagetech™ provides solutions suitable for IIA, IIB and IIC explosion groups with the EN 60079-20-1 method.





Low Pressure Drop

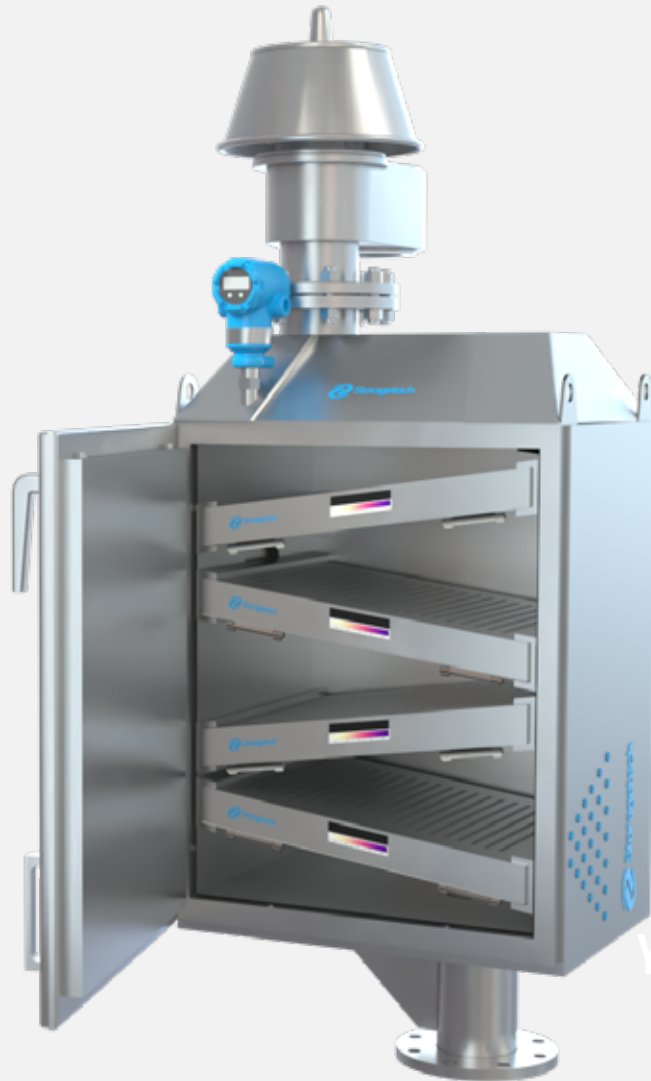
Storagetech™ Flame Arresters provides ~30% less pressure drop compared to ordinary flame arresters with its unique Technologies



Protective Coating & Painting

PTFE coating paint, protects against weather conditions; increases life time, and decreases maintenance cost. Since all parts are painted separately, there is no gap in the connection parts.

CO₂ Storage Tank VENT ABSORBER



YouTube



Certificates & Standards



Flame Arrester

Vertical, in-line, deflagration



Model 300

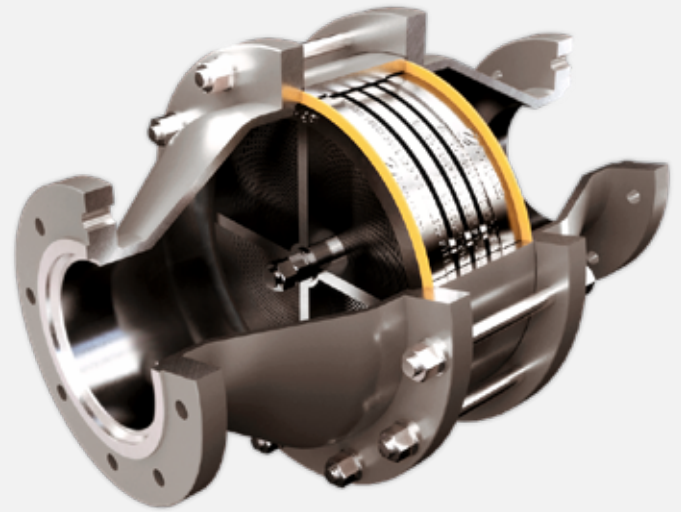
Product Description

Storagetech™ Model Number 300 Flame Arrester is a safety device that has a flame barrier with a large number of defined passage gaps, whose gap cross section is set with regard to the properties of the flowing gas, is cooled effectively and secured against a flame flashback in the case of continuous combustion. They are typically mounted to a flange or pipe, which connects the vapor space of a storagetank or a pipeline.

Storagetech™ Model 300 Vertical In-line Deflagration Flame Arrester is intended for pipeline installation close to the source of any potential ignition source by minimising flame speed and the development of an explosive pressure.

The flame quenching element is designed to be three or four times the area of the pipe in which it is installed, and is assembled between two flanged reducing spools.

The element comprises a tightly rolled scroll or scrolls of crimped stainless steel ribbon to form passages through which the vapour passes.



StorageTech provides the high quality and reliable solutions for your needs with 40 years of experience.

Your investments will be much safer with Storagetech™ Flame Arrester solutions, which are completely produced in accordance with international norms.



Standard Sizes	1" to 12" DN25 to DN300
Body / Flanges	1- Carbon steel 2- Stainless steel AISI 316 –L or 304-L 3- Aluminium 4- Customer Specification
Flange Drilling	API Class 150, PN16, and Special
Flame Element	Stainless steel AISI 316 –L or 304-L
O-ring Seal	Nitrile, Special
Screen	Stainless steel
Weather Hood	Carbon steel, Stainless steel or Aluminium
Paint Finish	1- Powder Coating, Colour RAL 9006 2- Epoxy Paint, Colour RAL 9006 3- Customer Specification
ATEX Cert	Ex II 1/2 G IIA

Construction

The area of each passage determines level of protection that the element provides. Storagetech™ Model 300 In-line Deflagration Flame Arrester has a Maximum Experimental Safe Gap as per standard, and is suitable for gas groups IIB and IIA.

Under normal operation the flame element allows the bi-directional flow of air and flammable vapour, however it introduces additional pressure loss, and this must be considered in the design of the system. If a fire or ignition occurs external to the equipment and ignites the flammable discharge, the flame arrester will quench the leading fire by absorbing and dispersing the heat as it passes through the element.

The unit is supplied with an earth point, copper tag and cable. Periodically the cell can be removed for cleaning or replacement.

The Model 300 deflagration flame arrester is suitable for quenching subsonic flames and should be mounted in the vertical plane, close to the source of any potential ignition. It is suitable for use with any of Storagetech™ Pressure Relief, and Pressure-Vacuum Valves, and should be installed on the inlet to the Pressure Relief unit.

Design & Manufacturing Specifications



The size of the vent should be calculated in accordance with API Standard 2000 (ISO 28300) - Venting Atmospheric and Low-Pressure Storage Tanks or other international standards.

Manufacturing Materials

Housing	Cell	Gas Group
Carbon Steel	304 S.S.	IIA*
304 S.S.	316 S.S.	
316 S.S.		
Aluminum		

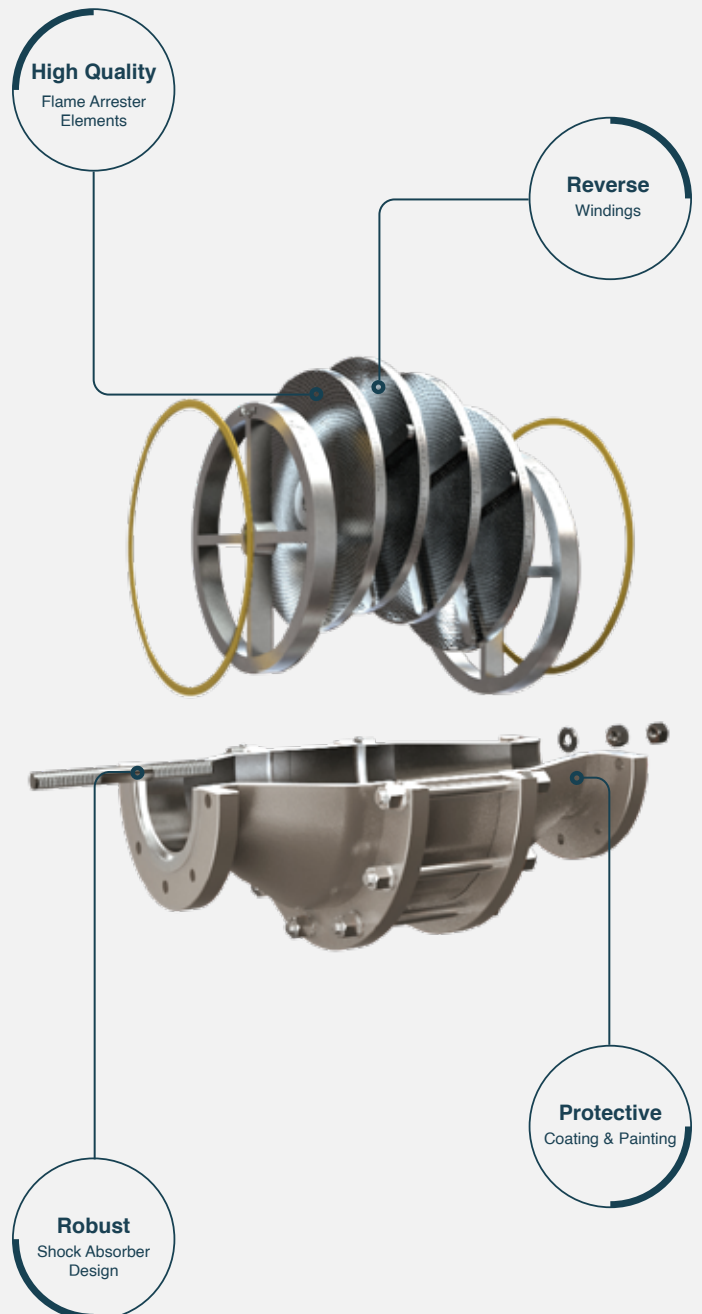
Key Features

- Internal materials are AISI 316 or 304 stainless steel.
- Easy to clean internal materials.
- Easy to install.
- Comes with the paint color you choose.
- Standard manufacturing comes with API 150 class flange.
- Protection cap is manufactured from aluminum material.

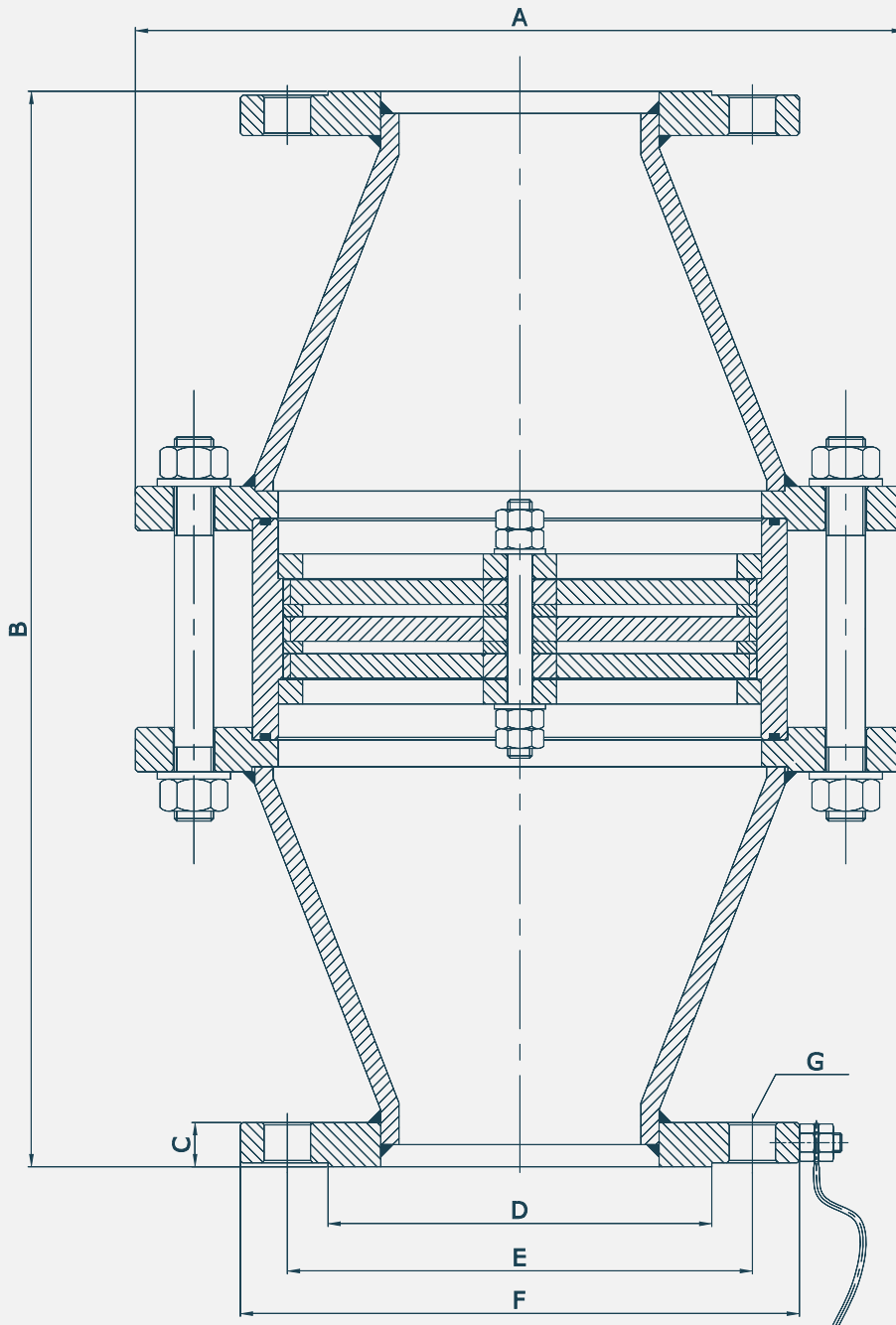
Product Benefits

StorageTech™ Flame Arrester Model 300 provides safety. It blocks the flame and does not allow flame travel through a pipeline or any in-outlet. Protects environment. Flame arrester prevents your facility against fire that is caused by explosions.

Certificates & Standards



Technical Drawing



Weight & Dimensions

SIZE	NPS	DN	A	B	C	D		E		F		G		TOTAL WEIGHT (kg)				
						ANSI 150# RF	PN 16	ANSI 150# RF	PN 16	ANSI 150# RF	PN 16	ANSI 150# RF	PN 16	WELDED	CASTING			
													CS	SS	AL	CS	SS	
2"	50	180	320	18	92	102	120.6	125	152	165	Ø19x4	Ø18x4	15-18	15-18	5-7	15-20	15-20	
3"	80	260	396	18	127	138	152.4	160	190	200	Ø19x4	Ø18x8	33-38	33-38	11-14	36-42	36-42	
4"	100	315	435	18	157.2	158	190.5	180	229	220	Ø19x8	Ø18x8	45-50	45-50	21-24	46-52	46-52	
6"	150	380	516	18	216	212	241.3	240	279	285	Ø22x8	Ø22x8	62-68	62-68	33-37	80-90	80-90	
8"	200	455	820	18	270	268	298.4	295	343	340	Ø22x8	Ø22x12	115-125	115-130	46-52	120-140	120-140	
10"	250	600	974	22	324	320	362	355	406	405	Ø25.4x12	Ø26x12	165-180	165-185	90-105	215-250	215-250	
12"	300	750	750	22	381	378	431.8	410	483	460	Ø25.4x12	Ø26x12	250-280	250-290	165-190	350-390	350-390	

Flow Capacity Tables

Pressure Drops (mbar)

				Flow in Nm ³ /h Air																	
Gas Group	Element	Pipe Size		5	10	15	20	30	40	50	60	70	80	90	100	150	200	300	400	500	
IIA	100/19/80	DN50	2"	<0.5	<0.5	<0.5	<0.5	<0.5	<0.5	0.7	0.9	1.1	1.4	1.6	1.8	3.2	4.8	8.5	12.7	16.8	
	150/38/80	DN80	3"	<0.5	<0.5	<0.5	<0.5	<0.5	<0.5	<0.5	0.5	0.7	0.8	0.9	1.0	1.6	2.4	4.2	6.2	8.6	
	200/38/80	DN100	4"	<0.5	<0.5	<0.5	<0.5	<0.5	<0.5	<0.5	<0.5	<0.5	<0.5	<0.5	0.5	0.9	1.2	2.1	3.0	4.1	
	300/38/80	DN150	6"	<0.5	<0.5	<0.5	<0.5	<0.5	<0.5	<0.5	<0.5	<0.5	<0.5	<0.5	<0.5	<0.5	<0.5	0.5	0.8	1.2	1.5
	400/38/80	DN200	8"	<0.5	<0.5	<0.5	<0.5	<0.5	<0.5	<0.5	<0.5	<0.5	<0.5	<0.5	<0.5	<0.5	<0.5	<0.5	<0.5	0.6	0.7
	500/38/80	DN250	10"	<0.5	<0.5	<0.5	<0.5	<0.5	<0.5	<0.5	<0.5	<0.5	<0.5	<0.5	<0.5	<0.5	<0.5	<0.5	<0.5	<0.5	<0.5
600/38/80	DN300	12"	<0.5	<0.5	<0.5	<0.5	<0.5	<0.5	<0.5	<0.5	<0.5	<0.5	<0.5	<0.5	<0.5	<0.5	<0.5	<0.5	<0.5	<0.5	<0.5
IIB1	100/19/60	DN50	2"	<0.5	<0.5	0.5	0.7	1.0	1.4	1.7	2.0	2.3	2.6	2.9	3.2	4.8	6.6	11.6	19.5	31.6	
IIB2	150/38/60	DN80	3"	<0.5	<0.5	<0.5	<0.5	0.7	1.0	1.2	1.5	1.7	1.9	2.1	2.4	3.5	4.6	6.8	9.1	11.8	
IIB3	200/38/60	DN100	4"	<0.5	<0.5	<0.5	<0.5	<0.5	0.6	0.7	0.9	1.0	1.2	1.3	1.4	2.1	2.8	4.1	5.4	6.7	
	300/38/60	DN150	6"	<0.5	<0.5	<0.5	<0.5	<0.5	<0.5	<0.5	<0.5	<0.5	0.6	0.6	0.7	1.0	1.4	2.0	2.7	3.3	
	400/38/60	DN200	8"	<0.5	<0.5	<0.5	<0.5	<0.5	<0.5	<0.5	<0.5	<0.5	<0.5	<0.5	<0.5	0.6	0.8	1.1	1.5	1.9	
	500/38/60	DN250	10"	<0.5	<0.5	<0.5	<0.5	<0.5	<0.5	<0.5	<0.5	<0.5	<0.5	<0.5	<0.5	<0.5	0.5	0.8	1.0	1.2	
	600/38/60	DN300	12"	<0.5	<0.5	<0.5	<0.5	<0.5	<0.5	<0.5	<0.5	<0.5	<0.5	<0.5	<0.5	<0.5	<0.5	<0.5	0.6	0.7	0.9
	IIB	100/19/45	DN50	2"	<0.5	0.9	1.4	1.8	2.8	3.8	4.8	5.9	7.0	8.1	9.3	10.6	17.8	27.0	52.9	91.9	147.9
150/38/45		DN80	3"	<0.5	<0.5	0.6	0.8	1.2	1.5	1.9	2.3	2.7	3.2	3.6	4.0	6.2	8.7	14.3	21.1	29.4	
200/38/45		DN100	4"	<0.5	<0.5	<0.5	<0.5	0.7	0.9	1.1	1.4	1.6	1.8	2.1	2.3	3.5	4.8	7.6	10.6	14.0	
300/38/45		DN150	6"	<0.5	<0.5	<0.5	<0.5	<0.5	<0.5	0.5	0.7	0.8	0.9	1.0	1.1	1.6	2.2	3.4	4.6	5.9	
400/38/45		DN200	8"	<0.5	<0.5	<0.5	<0.5	<0.5	<0.5	<0.5	<0.5	<0.5	<0.5	0.5	0.6	0.9	1.2	1.8	2.4	3.0	
500/38/45		DN250	10"	<0.5	<0.5	<0.5	<0.5	<0.5	<0.5	<0.5	<0.5	<0.5	<0.5	<0.5	<0.5	0.6	0.8	1.2	1.6	2.0	
600/38/45	DN300	12"	<0.5	<0.5	<0.5	<0.5	<0.5	<0.5	<0.5	<0.5	<0.5	<0.5	<0.5	<0.5	<0.5	0.6	0.8	1.1	1.4		
IIC	100/19/15	DN50	2"	2.3	4.6	7.0	9.3	14.0	18.7	23.5	28.3	33.1	38.0	42.9	47.8	72.9					
	150/38/15	DN80	3"	3.0	6.0	9.0	12.0	18.2	24.3	30.7	37.2	43.7	50.3	57.1	63.9	99.6	137.9	223.0	320.2		
	200/38/15	DN100	4"	1.8	3.5	5.3	7.1	10.7	14.3	18.0	21.7	25.4	29.2	33.0	36.8	56.5	77.0	120.9	168.6	220.4	
	300/38/15	DN150	6"	0.8	1.7	2.5	3.4	5.1	6.8	8.5	10.2	12.0	13.7	15.4	17.2	26.1	35.1	53.9	73.4	93.8	
	400/38/15	DN200	8"																		
	500/38/15	DN250	10"																		
600/38/15	DN300	12"																			

				Flow in Nm ³ /h Air																	
Gas Group	Element	Pipe Size		600	700	800	900	1000	2000	3000	4000	5000	6000	7000	8000	9000	200	10000	12000	16000	
IIA	100/19/80	DN50	2"	20.6	23.6	25.4															
	150/38/80	DN80	3"	11.1	13.8	16.7	19.6	22.5													
	200/38/80	DN100	4"	5.3	6.6	7.9	9.4	10.9	27.9	41.0											
	300/38/80	DN150	6"	1.9	2.4	2.8	3.3	3.9	10.3	18.2	26.5	34.1	39.9	42.8							
	400/38/80	DN200	8"	0.9	1.1	1.3	1.5	1.7	4.3	7.7	11.6	15.9	20.4	24.9	29.3	33.4	36.9	41.8			
	500/38/80	DN250	10"	0.6	0.7	0.8	0.9	1.0	2.5	4.3	6.4	8.9	11.5	14.3	17.3	20.3	23.3	29.1	34.4	38.8	
600/38/80	DN300	12"	<0.5	<0.5	0.5	0.6	0.7	1.6	2.7	4.1	5.5	7.2	9.0	10.9	12.8	14.9	19.2	23.5	27.7		
IIB1	100/19/60	DN50	2"	49.3	73.9																
IIB2	150/38/60	DN80	3"	15.0	18.8	23.5	29.2	36.1													
IIB3	200/38/60	DN100	4"	8.0	9.5	11.1	12.8	14.7	52.6	148.7											
	300/38/60	DN150	6"	3.9	4.5	5.2	5.8	6.4	13.9	26.4	47.7	81.8	132.4	203.5							
	400/38/60	DN200	8"	2.2	2.6	2.9	3.2	3.6	6.9	10.7	15.6	22.1	30.8	42.5	57.7	77.0	101.0	165.8			
	500/38/60	DN250	10"	1.5	1.7	2.0	2.2	2.4	4.7	6.9	9.3	12.1	15.5	19.5	24.5	30.6	37.9	57.0	83.4	118.5	
	600/38/60	DN300	12"	1.1	1.3	1.4	1.6	1.8	3.4	5.0	6.6	8.3	10.2	12.3	14.6	17.3	20.5	28.3	38.6	51.9	
	IIB	100/19/45	DN50	2"	224.5	325.4															
150/38/45		DN80	3"	39.4	51.5	66.0	83.1	103.0													
200/38/45		DN100	4"	17.2	22.2	27.0	32.5	38.6	148.3												
300/38/45		DN150	6"	7.2	8.6	10.1	11.6	13.2	35.9	74.2	134.6	223.5	347.2								
400/38/45		DN200	8"	3.7	4.3	5.0	5.7	6.4	14.8	26.0	41.2	61.4	87.6	120.8	162.0	212.3	272.6				
500/38/45		DN250	10"	2.4	2.8	3.2	3.7	4.1	8.9	14.7	21.7	30.4	40.9	53.6	68.8	86.8	107.8	160.3	228.6	315.2	
600/38/45	DN300	12"	1.7	2.0	2.3	2.6	2.9	6.1	9.7	13.9	18.7	24.3	30.7	38.2	46.7	56.4	79.9	109.5	146.2		
IIC	100/19/15	DN50	2"																		
	150/38/15	DN80	3"																		
	200/38/15	DN100	4"	276.4	336.9																
	300/38/15	DN150	6"	115.0	137.1	160.0	183.9	208.8													
	400/38/15	DN200	8"																		
	500/38/15	DN250	10"																		
600/38/15	DN300	12"																			

Flame Arrester

Vertical, in-line, detonation

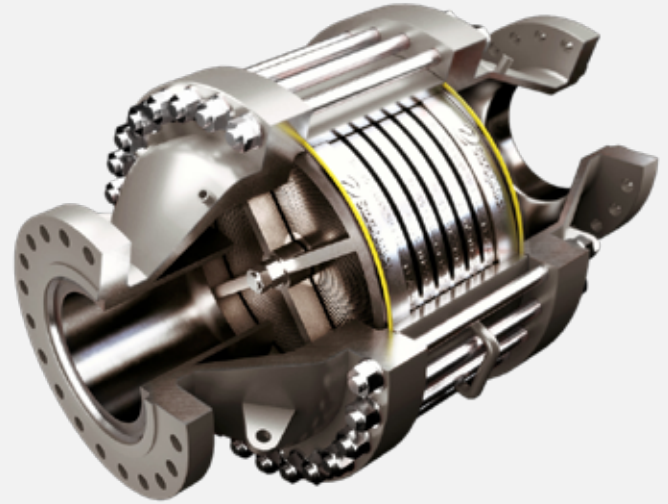


Model 320

Product Description

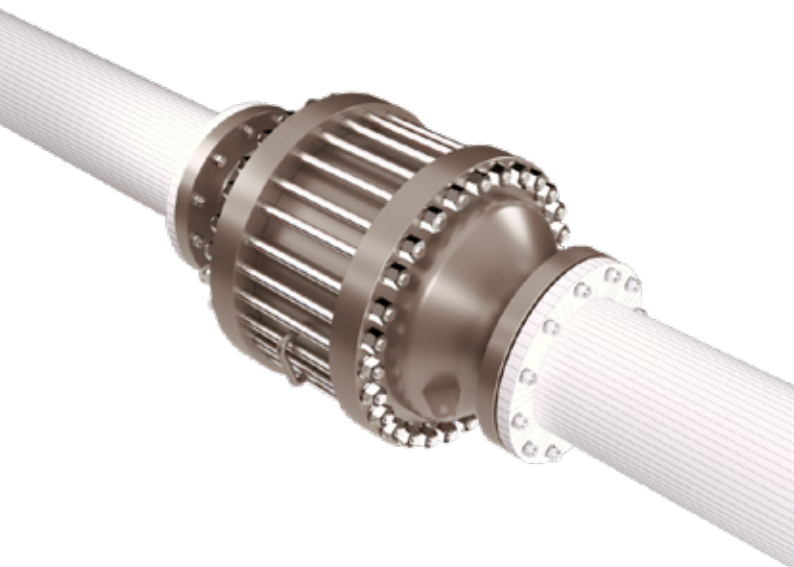
Storagetech™ Model 320 In-line Detonation Flame Arrester is designed for installation in gas pipelines. Detonation occurs when a flame travelling through the pipeline reaches supersonic velocities, usually as a result of the pipeline configuration or pipeline surface roughness. Changes in gas density and pressure causes the flame velocity to metamorphose from subsonic to supersonic. The flame quenching element is designed to be three or four times the area of the pipe in which it is installed, and is assembled between two angled reducing spools. The element comprises a tightly rolled scroll or scrolls of crimped stainless steel ribbon to form passages through which the vapour passes. The area of each passage determines level of protection that the element provides.

ERGIL Storagetech™ Model 320 In-line Detonation Flame Arrester has a maximum experimental safe gap (MESG) as per the standard, and is suitable for gas groups IIB and IIA. The detonation flame arrester is more robust than the degradation flame arrester, and contiguous scrolls have smaller MESGs to withstand higher pressures and to quench detonations. It should be installed in the pipeline where there is a significant distance between the unit and the potential source of ignition.



StorageTech provides the high quality and reliable solutions for your needs with 40 years of experience.

Your investments will be much safer with Storagetech™ Flame Arrester solutions, which are completely produced in accordance with international norms.



Standard Sizes	1" to 12" DN25 to DN300
Body / Flanges	1- Carbon steel 2- Stainless steel AISI 316 –L or 304-L 3- Aluminium 4- Customer Specification
Flange Drilling	API Class 150, PN16, and Special
Flame Element	Stainless steel AISI 316 –L or 304-L
O-ring Seal	Nitrile, Special
Screen	Stainless steel
Weather Hood	Carbon steel, Stainless steel or Aluminium
Paint Finish	1- Powder Coating, Colour RAL 9006 2- Epoxy Paint, Colour RAL 9006 3- Customer Specification
ATEX Cert	Ex II 1/2 G IIA

The unit is supplied with an earth point, copper tag and cable. Temperature sensor can be provided upon request. The element can easily be removed for cleaning or replacement.

Manufacturing Materials

Housing	Cell	Gass Group
Carbon Steel	304 S.S.	IIA, IIB *
304 S.S.	316 S.S.	
316 S.S.		
Aluminum		

Design & Manufacturing Specifications

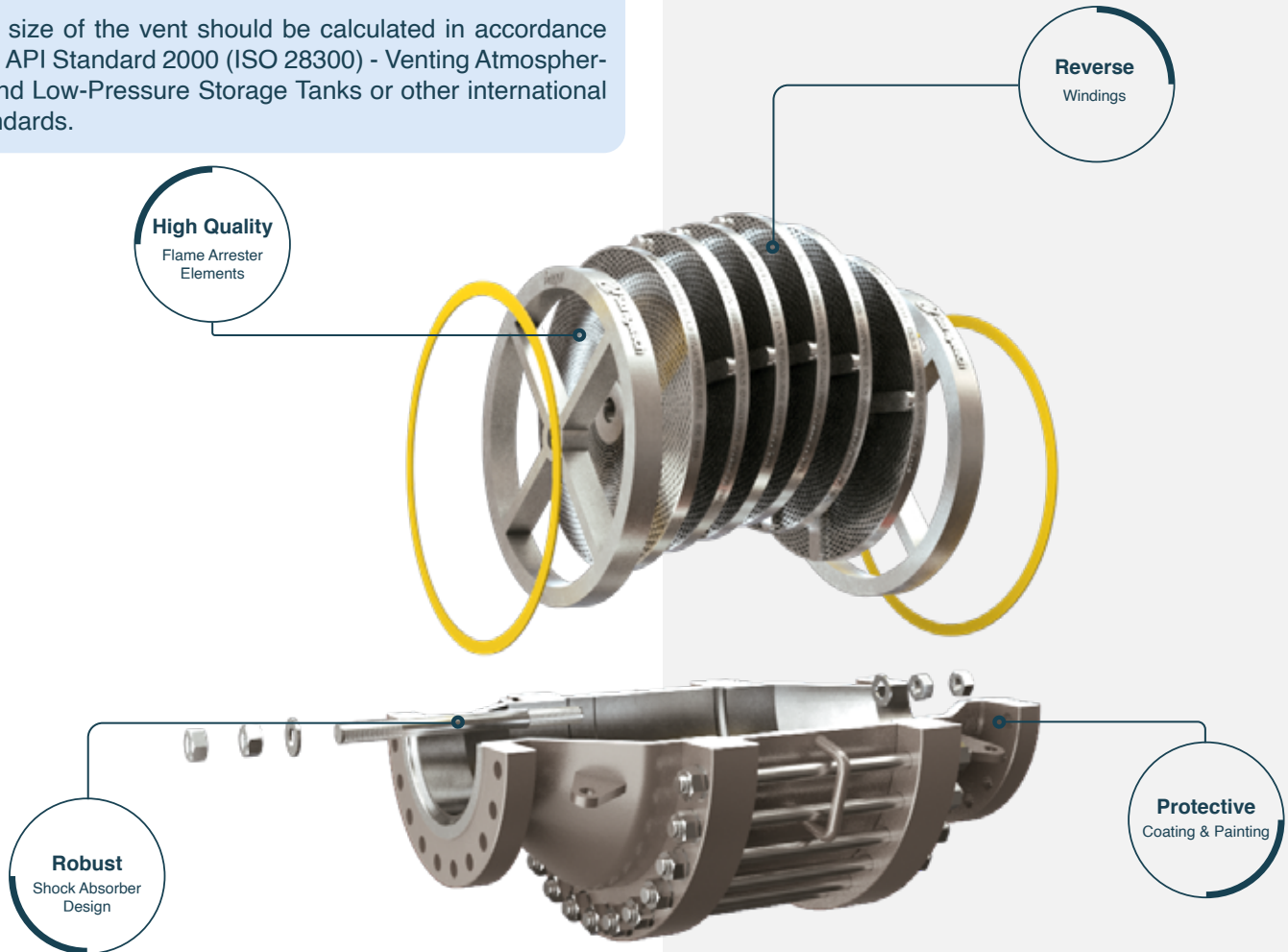


The size of the vent should be calculated in accordance with API Standard 2000 (ISO 28300) - Venting Atmospheric and Low-Pressure Storage Tanks or other international standards.

Product Benefits

- Storagetech™ Flame Arrester Model 310 provides safety, It blocks the flame and does not allow flame travel through a pipeline or any in-outlet.
- Protects environment. Flame Arrester prevents your facility against fire that is caused by explosions.
- Stop the shockwaves and controls the flashback explosions.

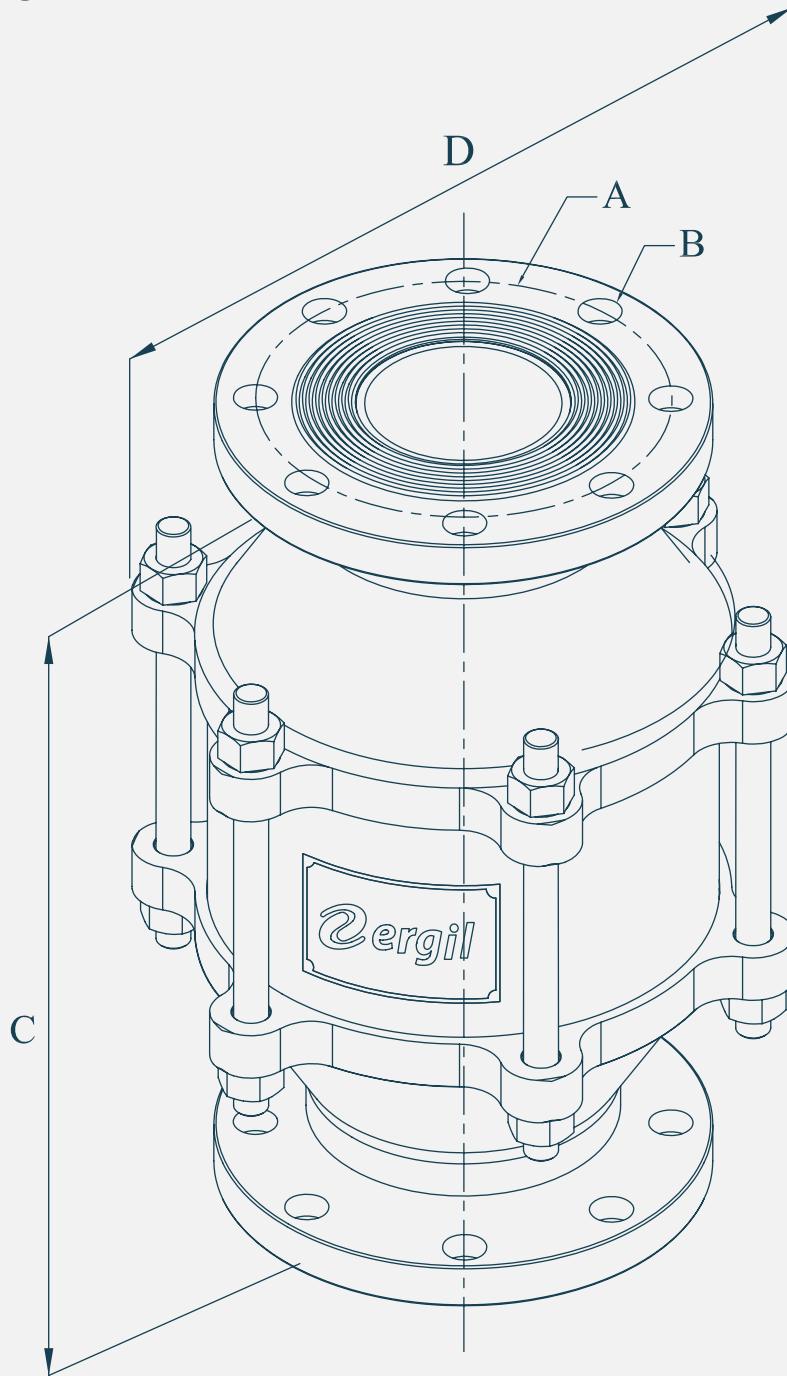
Certificates & Standards



Key Features

- StorageTech™ PW Model 320 internal materials are AISI 316 or 304 stainless steel.
- Easy to clean internal materials.
- Easy to install. You do not need a special tool or experience to install the StorageTech™ Flame Arrester Model 320.
- StorageTech™ PVV Model 320 comes with the paint color you choose.
- Standard manufacturing comes with API 150 class flange; however other flange types are available on request.

Technical Drawing



Weight & Dimensions

SIZE		A (mm)	B (mm)	C (mm)	D (mm)	APPROX WEIGHT (kg)
NPS	DN					
2"	50	Ø 120,6	Ø 19x4	320	180	12.5
3"	80	Ø 152,4	Ø 19x4	396	260	18
4"	100	Ø 241,3	Ø 19x8	435	315	26
6"	150	Ø 298,4	Ø 22,2x8	516	380	37
8"	200	Ø 362	Ø 22,2x8	790	455	72
10"	250	Ø 431,8	Ø 25,4x12	612	600	100
12"	300	Ø 190,5	Ø 25,4x12	643	750	125

General Tolerances for Length DIN 7168 (4.91)

Limit Measures For Nominal Measurement Area (mm)

Tolerance Limit	0.5	3	6	30	120	400
	3	6	30	120	400	1000
f (Thin)	±0.05	±0.05	±0.01	±0.15	±0.2	±0.3
m (Middle)	±0.1	±0.1	±0.02	±0.3	±0.5	±0.8
g (Coarse)	±0.15	±0.2	±0.05	±0.8	±1.2	±2
(Multi Coarse)	-	±0.5	±1	±1.5	±2	±3

Flow Capacity Tables

Flow Capacity (1000 SCFH at 60°F)

Pressure drop [In WC]		1	2	3	4	6	8	10	12	16	20	24	28
Pressure drop [oz/in ²]		.58	1.2	1.7	2.3	3.5	4.6	5.8	6.9	9.2	12	14	16
2	4	1.14	1.70	2.15	2.54	3.20	3.77	4.28	4.76	5.61	6.37	7.07	7.71
2	6	1.92	2.80	3.50	4.09	5.09	5.95	6.70	7.39	8.63	9.69	10.7	11.6
2	8	2.29	3.31	4.09	4.76	5.89	6.84	7.69	8.46	9.79	11.0	12.2	13.1
3	6	2.52	3.76	4.76	5.61	7.09	8.36	9.50	10.5	12.4	14.2	15.7	17.1
3	8	3.53	5.22	6.55	7.70	9.60	11.3	12.8	14.2	16.6	18.8	20.7	22.6
3	10	4.30	6.29	7.84	9.17	11.4	13.3	15.0	16.6	19.4	21.9	24.0	26.1
3	12	4.87	7.06	8.76	10.17	12.6	14.7	16.5	18.2	21.2	23.8	26.2	28.5
4	8	4.07	6.09	7.70	9.11	11.5	13.6	15.5	17.2	20.3	23.1	25.7	28.0
4	10	5.35	7.95	10.1	11.8	14.8	17.5	19.9	21.9	25.8	29.3	32.4	35.3
4	12	6.54	9.60	12.1	14.2	17.8	20.8	23.6	26.0	30.5	34.4	38.0	41.4
4	20	8.84	12.7	15.9	18.4	22.8	26.6	29.9	32.9	38.3	43.0	47.3	51.3
6	12	7.87	11.8	15.0	17.8	22.4	26.6	30.2	33.6	39.8	45.2	50.4	55.0
6	20	13.0	19.3	24.3	28.6	35.9	42.2	47.8	52.9	62.1	70.4	77.9	84.8
6	26	14.1	20.8	26.1	30.7	38.5	45.1	51.1	56.5	66.2	74.9	82.8	90.2
6	30	15.0	22.1	27.7	32.5	40.7	47.7	53.9	59.6	69.7	78.9	87.0	94.7
8	20	14.6	22.0	27.9	33.0	41.8	49.4	56.2	62.5	73.9	84.1	93.5	103
8	26	16.2	24.2	30.7	36.3	45.9	54.2	61.7	68.5	80.8	92.0	102	111
8	30	17.7	26.4	33.3	39.4	49.8	58.7	66.7	74.1	87.3	98.8	110	121
10	26	17.0	25.6	32.5	38.5	48.9	58.0	66.1	73.6	87.1	99.8	110	121
10	30	18.7	28.1	35.7	42.3	53.7	63.6	72.4	80.6	95.0	108	121	132
12	30	19.1	28.8	36.7	43.5	55.3	65.6	74.9	83.4	98.8	113	125	138

Flow Capacity (NCMH at 0°C)

Pressure drop [In WC]		25	50	75	100	150	200	250	300	400	500	600	700
Pressure drop [mbar]		2.5	4.9	7.4	9.8	14.7	19.6	24.5	29	39	49	59	69
50	100	32.7	48.7	61.5	72.7	91.8	108	123	136	161	183	203	221
50	150	55.0	80.3	100	117	146	170	192	212	247	278	308	332
50	200	65.6	94.8	117	136	169	196	220	242	280	316	349	376
75	150	72.2	108	136	161	203	240	272	302	357	406	449	490
75	200	101	150	188	221	275	324	368	406	477	539	594	648
75	250	123	180	225	263	327	381	430	477	556	626	689	749
75	300	140	202	251	291	362	422	474	523	607	684	752	817
100	200	117	175	221	261	330	389	444	493	583	662	735	803
100	250	153	228	289	338	425	501	569	629	741	839	929	1013
100	300	187	275	346	406	509	596	675	746	874	986	1089	1187
100	500	253	365	455	528	654	762	858	942	1097	1234	1356	1471
150	300	225	338	430	509	643	762	866	964	1141	1296	1443	1577
150	500	373	553	697	820	1029	1209	1370	1517	1781	2018	2233	2432
150	650	403	596	749	880	1103	1294	1465	1620	1898	2146	2375	2584
150	750	430	634	795	931	1166	1367	1544	1707	1999	2260	2494	2715
200	500	419	632	801	945	1198	1416	1612	1792	2119	2410	2680	2941
200	650	463	694	880	1040	1315	1555	1767	1963	2317	2636	2914	3186
200	750	507	757	956	1130	1427	1683	1912	2124	2503	2832	3159	3458
250	650	487	733	931	1103	1402	1661	1895	2110	2497	2859	3159	3458
250	750	536	806	1024	1212	1539	1822	2075	2309	2723	3104	3458	3785
300	750	547	825	1051	1247	1585	1882	2146	2391	2832	3241	3595	3949

Flame Arrester

Horizontal, in-line, deflagration



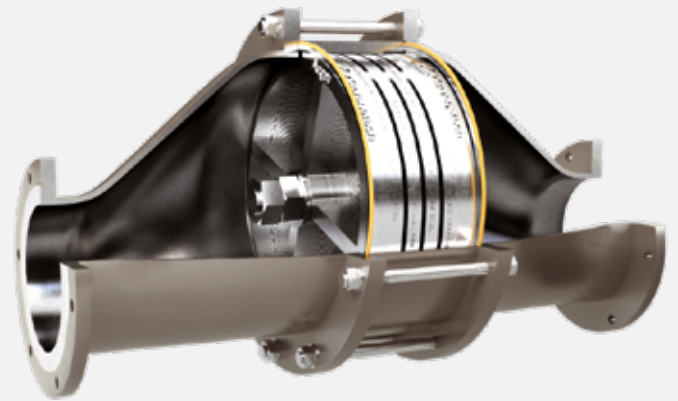
Model 301

Product Description

Flame Arresters are passive devices that prevent the propagation of a flame or fire from entering into an opening in a pipeline or vessel discharging flammable vapour. The flame quenching element is designed to be three or four times the area of the pipe in which it is installed, and is assembled between two flanged reducing spools. The element comprises a tightly rolled scroll or scrolls of crimped stainless steel ribbon to form passages through which the vapour passes.

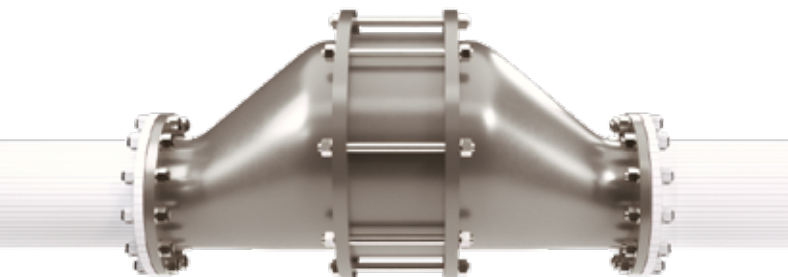
The area of each passage determines level of protection that the element provides. ERGIL Storagetech™ Model 301 In-line Deflagration Flame Arrester has a Maximum Experimental Safe Gap as per standard, and is suitable for gas groups IIB and IIA. Under normal operation the flame element allows the bi-directional flow of air and flammable vapour, however it introduces additional pressure loss and this must be considered in the design of the system.

If a fire or ignition occurs external to the equipment and ignites the flammable discharge, the flame arrester will quench the leading fire by absorbing and dispersing the heat as it passes through the element. The unit is supplied with an earth point, copper tag and cable. Periodically the cell can be removed for cleaning or replacement. The Model 301 Deflagration Flame Arrester is suitable for quenching subsonic flames and should be mounted in the horizontal plane, close to the source of any potential ignition. It is suitable for use with any of Storagetech™ Pressure Relief, and Pressure-Vacuum Valves, and should be installed on the inlet to the Pressure Relief unit.



StorageTech provides the high quality and reliable solutions for your needs with 40 years of experience.

Your investments will be much safer with Storagetech™ Flame Arrester solutions, which are completely produced in accordance with international norms.



Standard Sizes	1" to 12" DN25 to DN300
Body / Flanges	1- Carbon steel 2- Stainless steel AISI 316 –L or 304-L 3- Aluminium 4- Customer Specification
Flange Drilling	API Class 150, PN16, and Special
Flame Element	Stainless steel AISI 316 –L or 304-L
O-ring Seal	Nitrile, Special
Screen	Stainless steel
Weather Hood	Carbon steel, Stainless steel or Aluminium
Paint Finish	1- Powder Coating, Colour RAL 9006 2- Epoxy Paint, Colour RAL 9006 3- Customer Specification
ATEX Cert	Ex II 1/2 G IIB

Manufacturing Materials

Housing	Cell	Gass Group
Carbon Steel	304 S.S.	IIA
304 S.S.	316 S.S.	
316 S.S.		
Aluminum		

Design & Manufacturing Specifications

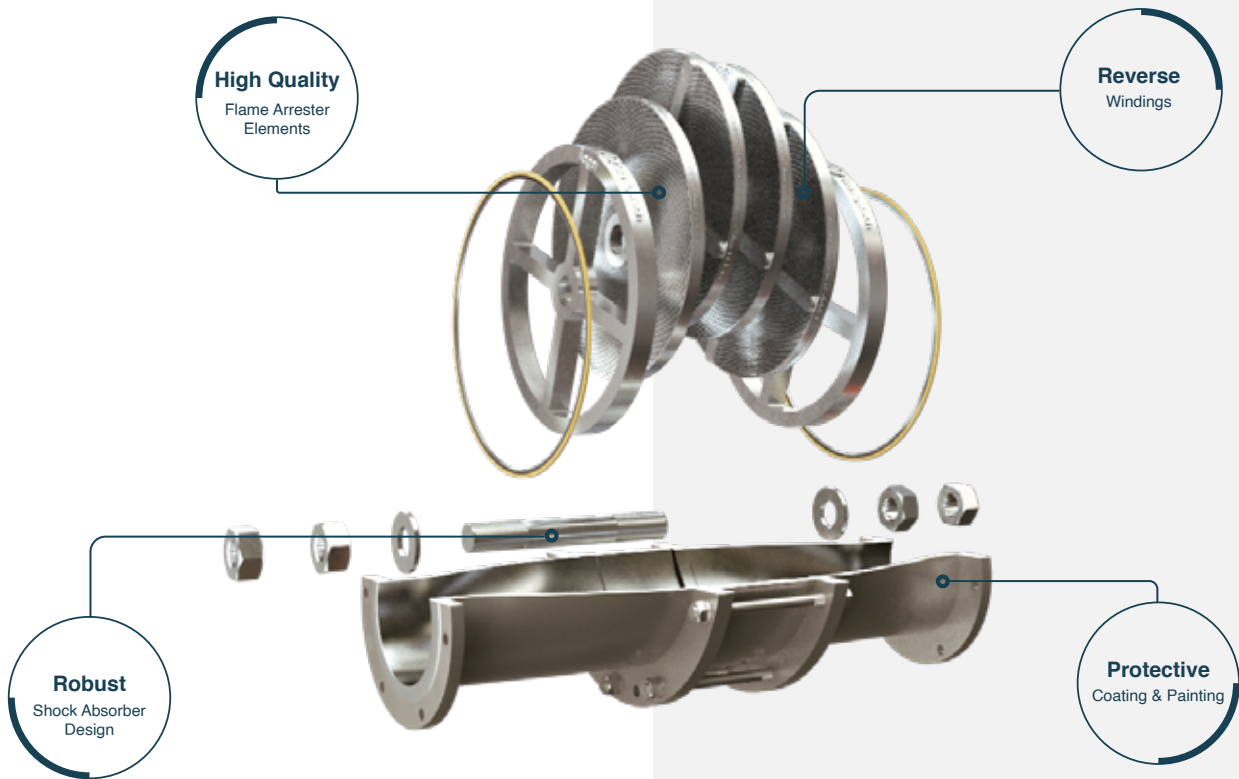


The size of the vent should be calculated in accordance with API Standard 2000 (ISO 28300) - Venting Atmospheric and Low-Pressure Storage Tanks or other international standards.

Product Benefits

StorageTech™ Flame Arrester Model 301 provides safety. It blocks the flame and does not allow flame travel through a pipeline or any in out-let. Protect s environment. Flame arrester prevents your facility against fire that is caused by explosions.

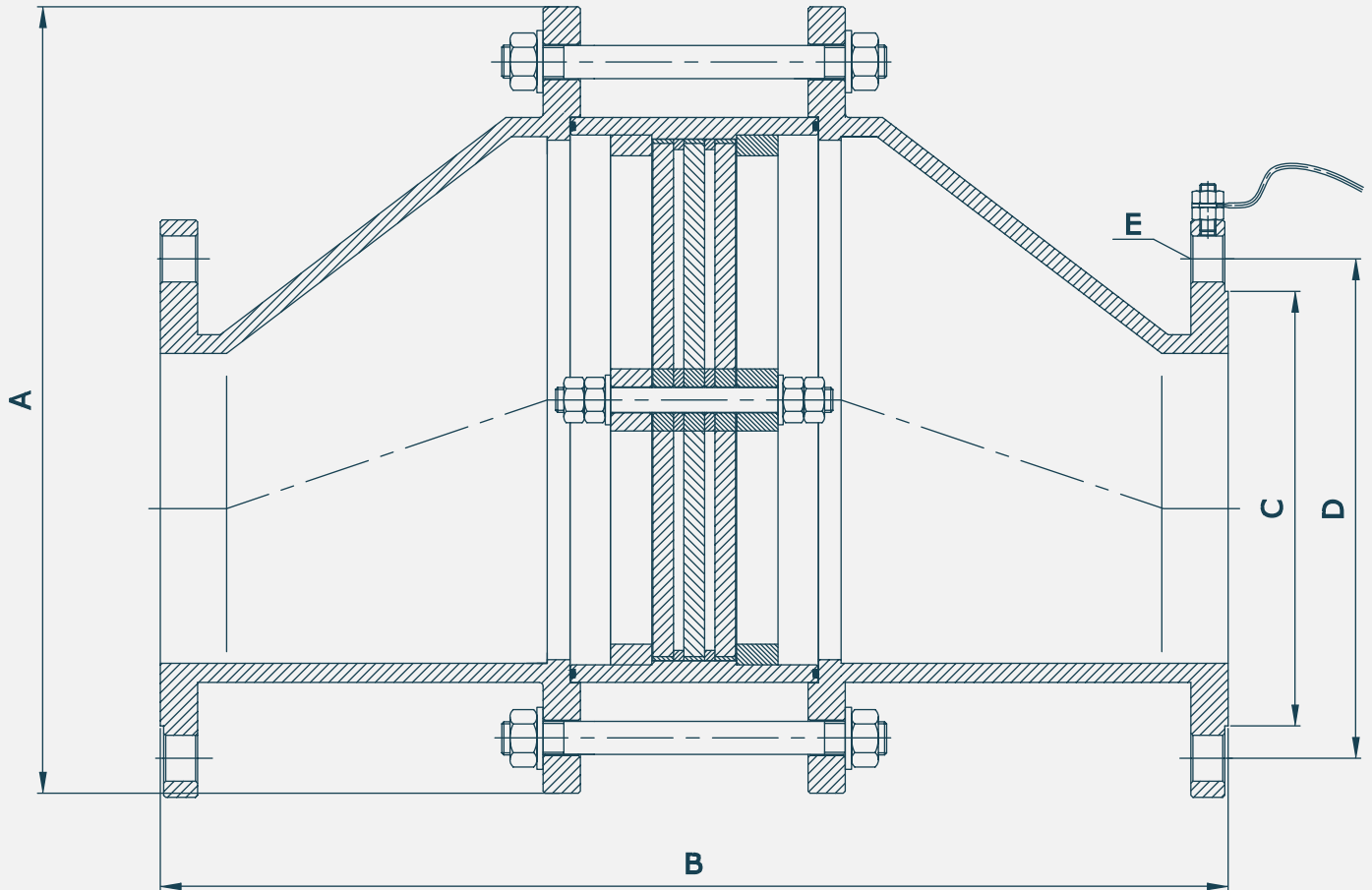
Certificates & Standards



Key Features

- StorageTech™ PW Model 301 internal materials are AISI 316 or 304 stainless steel.
- Easy to clean internal materials.
- Easy to install. You do not need a special tool or experience to install the StorageTech Flame Arrester Model 300.
- StorageTech™ PVV Model 301 comes with the paint color you choose.
- Standard manufacturing comes with API 150 class flange; however other flange types are available on request.
- Protection cap is manufactured from aluminum material.

Technical Drawing



Weight & Dimensions

SIZE		A	B	C		D		G		TOTAL WEIGHT (kg)	
NPS	DN			ANSI 150# RF	PN 16	ANSI 150# RF	PN 16	ANSI 150# RF	PN 16	Steel	Aluminium
2"	50	180	320	92	102	120.5	125	Ø19x4	Ø18x4	13.5	5.2
3"	80	260	396	127	138	152.4	160	Ø19x4	Ø18x8	28.1	10.4
4"	100	310	434	157.2	158	190.5	180	Ø19x8	Ø18x8	42.5	15.7
6"	150	380	516	216	212	241.3	240	Ø22x8	Ø22x8	63.5	23.5
8"	200	450	820	270	268	298.4	295	Ø22x8	Ø22x12	86.5	32.3
10"	250	585	974	324	320	362	355	Ø25.4x12	Ø26x12	115.9	42.9
12"	300	775	750	381	378	431.8	410	Ø25.4x12	Ø26x12	139.1	51.3

Flow Capacity Tables

Pressure Drops (mbar)

				Flow in Nm ³ /h Air																		
Gas Group	Element	Pipe Size		5	10	15	20	30	40	50	60	70	80	90	100	150	200	300	400	500		
IIA	100/19/80	DN50	2"	<0.5	<0.5	<0.5	<0.5	<0.5	<0.5	0.7	0.9	1.1	1.4	1.6	1.8	3.2	4.8	8.5	12.7	16.8		
	150/38/80	DN80	3"	<0.5	<0.5	<0.5	<0.5	<0.5	<0.5	<0.5	0.5	0.7	0.8	0.9	1.0	1.6	2.4	4.2	6.2	8.6		
	200/38/80	DN100	4"	<0.5	<0.5	<0.5	<0.5	<0.5	<0.5	<0.5	<0.5	<0.5	<0.5	<0.5	0.5	0.9	1.2	2.1	3.0	4.1		
	300/38/80	DN150	6"	<0.5	<0.5	<0.5	<0.5	<0.5	<0.5	<0.5	<0.5	<0.5	<0.5	<0.5	<0.5	<0.5	<0.5	0.5	0.8	1.2	1.5	
	400/38/80	DN200	8"	<0.5	<0.5	<0.5	<0.5	<0.5	<0.5	<0.5	<0.5	<0.5	<0.5	<0.5	<0.5	<0.5	<0.5	<0.5	<0.5	0.6	0.7	
	500/38/80	DN250	10"	<0.5	<0.5	<0.5	<0.5	<0.5	<0.5	<0.5	<0.5	<0.5	<0.5	<0.5	<0.5	<0.5	<0.5	<0.5	<0.5	<0.5	<0.5	<0.5
600/38/80	DN300	12"	<0.5	<0.5	<0.5	<0.5	<0.5	<0.5	<0.5	<0.5	<0.5	<0.5	<0.5	<0.5	<0.5	<0.5	<0.5	<0.5	<0.5	<0.5	<0.5	<0.5
IIB1	100/19/60	DN50	2"	<0.5	<0.5	0.5	0.7	1.0	1.4	1.7	2.0	2.3	2.6	2.9	3.2	4.8	6.6	11.6	19.5	31.6		
IIB2	150/38/60	DN80	3"	<0.5	<0.5	<0.5	<0.5	0.7	1.0	1.2	1.5	1.7	1.9	2.1	2.4	3.5	4.6	6.8	9.1	11.8		
IIB3	200/38/60	DN100	4"	<0.5	<0.5	<0.5	<0.5	<0.5	0.6	0.7	0.9	1.0	1.2	1.3	1.4	2.1	2.8	4.1	5.4	6.7		
	300/38/60	DN150	6"	<0.5	<0.5	<0.5	<0.5	<0.5	<0.5	<0.5	<0.5	<0.5	0.6	0.6	0.7	1.0	1.4	2.0	2.7	3.3		
	400/38/60	DN200	8"	<0.5	<0.5	<0.5	<0.5	<0.5	<0.5	<0.5	<0.5	<0.5	<0.5	<0.5	<0.5	0.6	0.8	1.1	1.5	1.9		
	500/38/60	DN250	10"	<0.5	<0.5	<0.5	<0.5	<0.5	<0.5	<0.5	<0.5	<0.5	<0.5	<0.5	<0.5	<0.5	0.5	0.8	1.0	1.2		
	600/38/60	DN300	12"	<0.5	<0.5	<0.5	<0.5	<0.5	<0.5	<0.5	<0.5	<0.5	<0.5	<0.5	<0.5	<0.5	<0.5	<0.5	0.6	0.7	0.9	
	IIB	100/19/45	DN50	2"	<0.5	0.9	1.4	1.8	2.8	3.8	4.8	5.9	7.0	8.1	9.3	10.6	17.8	27.0	52.9	91.9	147.9	
150/38/45		DN80	3"	<0.5	<0.5	0.6	0.8	1.2	1.5	1.9	2.3	2.7	3.2	3.6	4.0	6.2	8.7	14.3	21.1	29.4		
200/38/45		DN100	4"	<0.5	<0.5	<0.5	<0.5	0.7	0.9	1.1	1.4	1.6	1.8	2.1	2.3	3.5	4.8	7.6	10.6	14.0		
300/38/45		DN150	6"	<0.5	<0.5	<0.5	<0.5	<0.5	<0.5	0.5	0.7	0.8	0.9	1.0	1.1	1.6	2.2	3.4	4.6	5.9		
400/38/45		DN200	8"	<0.5	<0.5	<0.5	<0.5	<0.5	<0.5	<0.5	<0.5	<0.5	<0.5	0.5	0.6	0.9	1.2	1.8	2.4	3.0		
500/38/45		DN250	10"	<0.5	<0.5	<0.5	<0.5	<0.5	<0.5	<0.5	<0.5	<0.5	<0.5	<0.5	<0.5	0.6	0.8	1.2	1.6	2.0		
600/38/45	DN300	12"	<0.5	<0.5	<0.5	<0.5	<0.5	<0.5	<0.5	<0.5	<0.5	<0.5	<0.5	<0.5	<0.5	0.6	0.8	1.1	1.4			
IIC	100/19/15	DN50	2"	2.3	4.6	7.0	9.3	14.0	18.7	23.5	28.3	33.1	38.0	42.9	47.8	72.9						
	150/38/15	DN80	3"	3.0	6.0	9.0	12.0	18.2	24.3	30.7	37.2	43.7	50.3	57.1	63.9	99.6	137.9	223.0	320.2			
	200/38/15	DN100	4"	1.8	3.5	5.3	7.1	10.7	14.3	18.0	21.7	25.4	29.2	33.0	36.8	56.5	77.0	120.9	168.6	220.4		
	300/38/15	DN150	6"	0.8	1.7	2.5	3.4	5.1	6.8	8.5	10.2	12.0	13.7	15.4	17.2	26.1	35.1	53.9	73.4	93.8		
	400/38/15	DN200	8"																			
	500/38/15	DN250	10"																			
600/38/15	DN300	12"																				

				Flow in Nm ³ /h Air																	
Gas Group	Element	Pipe Size		600	700	800	900	1000	2000	3000	4000	5000	6000	7000	8000	9000	200	10000	12000	16000	
IIA	100/19/80	DN50	2"	20.6	23.6	25.4															
	150/38/80	DN80	3"	11.1	13.8	16.7	19.6	22.5													
	200/38/80	DN100	4"	5.3	6.6	7.9	9.4	10.9	27.9	41.0											
	300/38/80	DN150	6"	1.9	2.4	2.8	3.3	3.9	10.3	18.2	26.5	34.1	39.9	42.8							
	400/38/80	DN200	8"	0.9	1.1	1.3	1.5	1.7	4.3	7.7	11.6	15.9	20.4	24.9	29.3	33.4	36.9	41.8			
	500/38/80	DN250	10"	0.6	0.7	0.8	0.9	1.0	2.5	4.3	6.4	8.9	11.5	14.3	17.3	20.3	23.3	29.1	34.4	38.8	
600/38/80	DN300	12"	<0.5	<0.5	0.5	0.6	0.7	1.6	2.7	4.1	5.5	7.2	9.0	10.9	12.8	14.9	19.2	23.5	27.7		
IIB1	100/19/60	DN50	2"	49.3	73.9																
IIB2	150/38/60	DN80	3"	15.0	18.8	23.5	29.2	36.1													
IIB3	200/38/60	DN100	4"	8.0	9.5	11.1	12.8	14.7	52.6	148.7											
	300/38/60	DN150	6"	3.9	4.5	5.2	5.8	6.4	13.9	26.4	47.7	81.8	132.4	203.5							
	400/38/60	DN200	8"	2.2	2.6	2.9	3.2	3.6	6.9	10.7	15.6	22.1	30.8	42.5	57.7	77.0	101.0	165.8			
	500/38/60	DN250	10"	1.5	1.7	2.0	2.2	2.4	4.7	6.9	9.3	12.1	15.5	19.5	24.5	30.6	37.9	57.0	83.4	118.5	
	600/38/60	DN300	12"	1.1	1.3	1.4	1.6	1.8	3.4	5.0	6.6	8.3	10.2	12.3	14.6	17.3	20.5	28.3	38.6	51.9	
	IIB	100/19/45	DN50	2"	224.5	325.4															
150/38/45		DN80	3"	39.4	51.5	66.0	83.1	103.0													
200/38/45		DN100	4"	17.2	22.2	27.0	32.5	38.6	148.3												
300/38/45		DN150	6"	7.2	8.6	10.1	11.6	13.2	35.9	74.2	134.6	223.5	347.2								
400/38/45		DN200	8"	3.7	4.3	5.0	5.7	6.4	14.8	26.0	41.2	61.4	87.6	120.8	162.0	212.3	272.6				
500/38/45		DN250	10"	2.4	2.8	3.2	3.7	4.1	8.9	14.7	21.7	30.4	40.9	53.6	68.8	86.8	107.8	160.3	228.6	315.2	
600/38/45	DN300	12"	1.7	2.0	2.3	2.6	2.9	6.1	9.7	13.9	18.7	24.3	30.7	38.2	46.7	56.4	79.9	109.5	146.2		
IIC	100/19/15	DN50	2"																		
	150/38/15	DN80	3"																		
	200/38/15	DN100	4"	276.4	336.9																
	300/38/15	DN150	6"	115.0	137.1	160.0	183.9	208.8													
	400/38/15	DN200	8"																		
	500/38/15	DN250	10"																		
600/38/15	DN300	12"																			

Flame Arrester

End-of-line, deflagration



Model 310

Product Description

Storagetech™ Model Number 310 Flame Arrester is a safety device that has a flame barrier with a large number of defined passage gaps, whose gap cross section is set with regard to the properties of the flowing gas, is cooled effectively and secured against a flame flashback in the case of continuous combustion.

They also allow free venting in combination with flame protection for vertical vent applications.

They are typically mounted to a flange or pipe, which connects the vapor space of a storage tank or a pipeline.

Model Number 310 End-of-Line Deagration Flame Arrester is a safety device, designed to perform as an extinguishing barrier, which absorbs and dispels heat, reduces fire temperature and the oxygen level to stop the fire through layers of metal ribbons shaped with crimped corrugations.

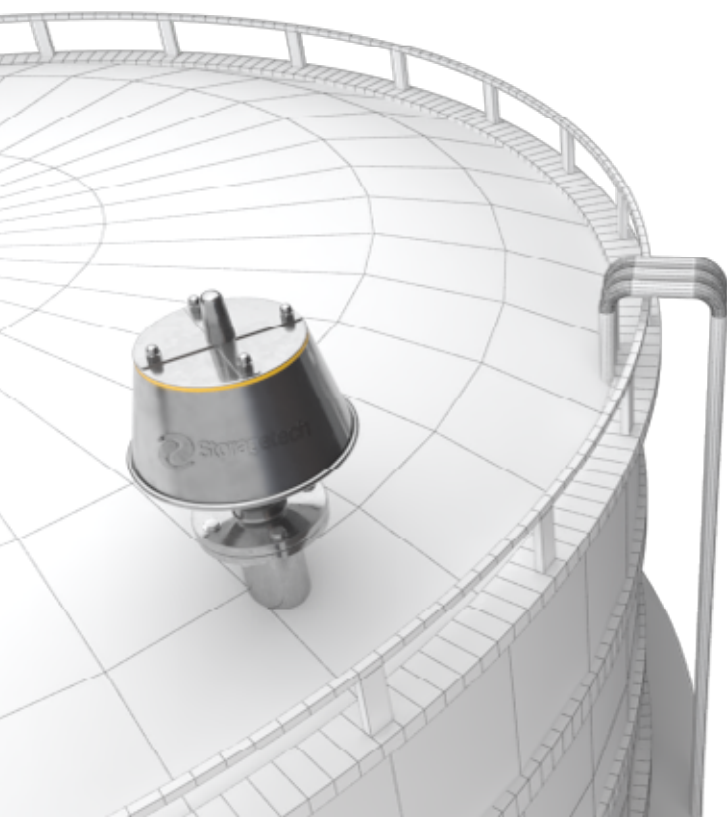
End-of-Line Deagration Flame Arrester is mounted at the end of a pipeline or at the end of a storage tank vent pipe, which enables tank venting and conagration protection for vertical vent applications.

It is designed to prevent outside particles such as dust, insects, water from accessing into the tank.



StorageTech provides the high quality and reliable solutions for your needs with 40 years of experience.

Your investments will be much safer with Storagetech™ Flame Arrester solutions, which are completely produced in accordance with international norms.



Standard Sizes	1" to 12" DN25 to DN300
Body / Flanges	1- Carbon steel 2- Stainless steel AISI 316 –L or 304-L 3- Aluminium 4- Customer Specification
Flange Drilling	API Class 150, PN16, and Special
Flame Element	Stainless steel AISI 316 –L or 304-L
O-ring Seal	Nitrile, Special
Screen	Stainless steel
Weather Hood	Carbon steel, Stainless steel or Aluminium
Paint Finish	1- Powder Coating, Colour RAL 9006 2- Epoxy Paint, Colour RAL 9006 3- Customer Specification

Manufacturing Materials

Housing	Cell	Gass Group
Carbon Steel	304 S.S.	IIB, IIA*
304 S.S.	316 S.S.	
316 S.S.		
Aluminum		

Design & Manufacturing Specifications



The size of the vent should be calculated in accordance with API Standard 2000 (ISO 28300) - Venting Atmospheric and Low-Pressure Storage Tanks or other international standards.

Product Benefits

StorageTech™ Flame Arrester Model 310 provides safety, It blocks the flame and does not allow flame travel through a pipeline or any in out-let. Protect s environment. Flame Arrester prevents your facility against fire that is caused by explosions. Special cap design protects the flame arrester interior material against dust and rain.

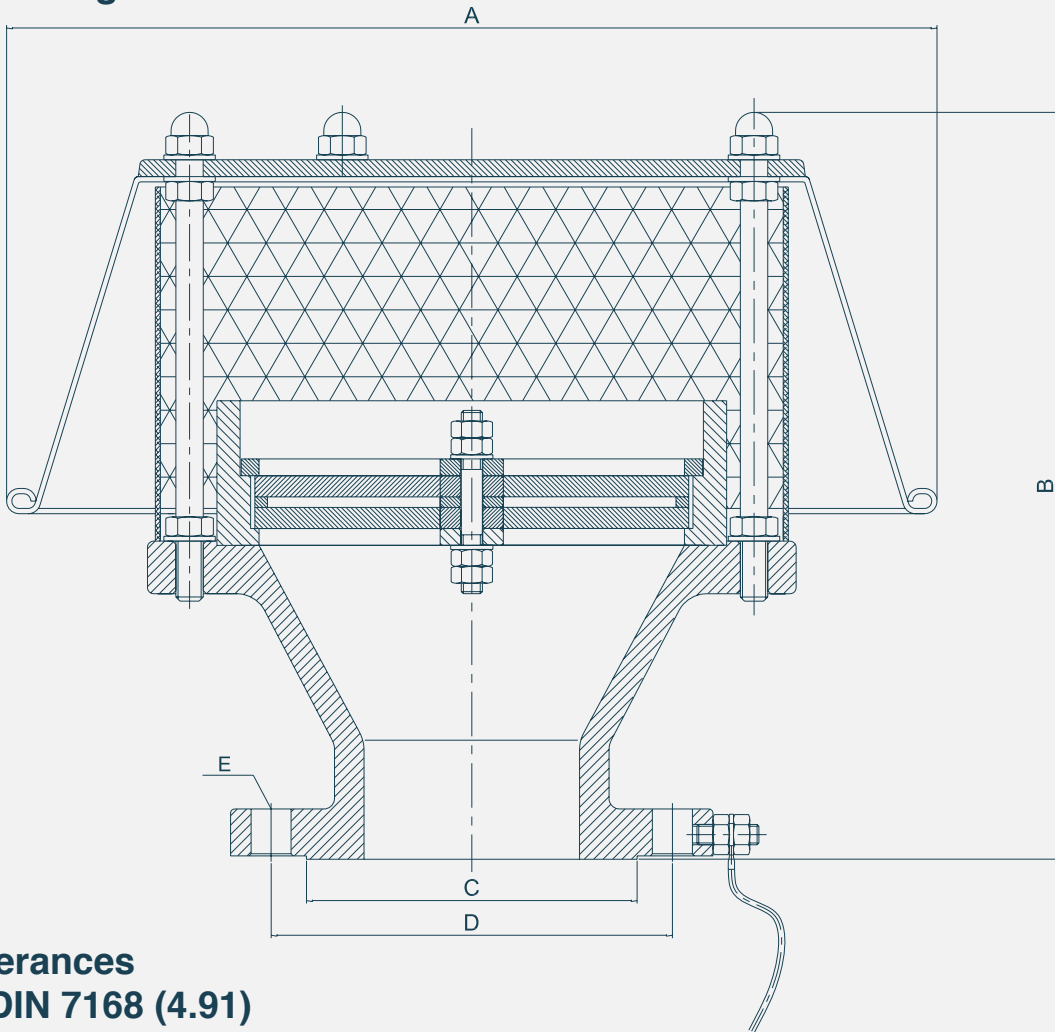
Certificates & Standards



Key Features

- StorageTech™ PW Model 310 internal materials are AISI 316 or 304 stainless steel.
- Easy to clean internal materials.
- Easy to install. You do not need a special tool or experience to install the StorageTech Flame Arrester Model 310.
- StorageTech™ PVV Model 310 comes with the paint color you choose.
- Standard manufacturing comes with API 150 class flange; however other flange types are available on request.
- Protection cap is manufactured from aluminum material.

Technical Drawing



General Tolerances for Length DIN 7168 (4.91)

Limit Measures For Nominal Measurement Area (mm)

Tolerance Limit	0.5	3	6	30	120	400
	3	6	30	120	400	1000
f (Thin)	±0.05	±0.05	±0.1	±0.15	±0.2	±0.3
m (Middle)	±0.1	±0.1	±0.2	±0.3	±0.5	±0.8
g (Coarse)	±0.15	±0.2	±0.5	±0.8	±1.2	±2
(Multi Coarse)	-	±0.5	±1	±1.5	±2	±3

Weight & Dimensions

SIZE		A	B	C		D		E		TOTAL WEIGHT (kg)	
NPS	DN			ANSI 150# RF	PN 16	ANSI 150# RF	PN 16	ANSI 150# RF	PN 16	Steel	Aluminium
2"	50	130	250	92	102	120.5	125	Ø19x4	Ø18x4	10.3	3.46
3"	80	370	270	127	138	152.4	160	Ø19x4	Ø18x8	20.3	6.94
4"	100	370	340	157.2	158	190.5	180	Ø19x8	Ø18x8	29.5	10.46
6"	150	455	340	216	212	241.3	240	Ø22x8	Ø22x8	42.1	15.67
8"	200	640	430	270	268	298.4	295	Ø22x8	Ø22x12	49.6	21.54
10"	250	670	400	324	320	362	355	Ø25.4x12	Ø26x12	65.9	28.6
12"	300	920	460	381	378	431.8	410	Ø25.4x12	Ø26x12	82.73	34.2

Flow Capacity Tables

Pressure Drops (mbar)

			Flow in Nm ³ /h Air																		
Gas Group	Element	Pipe Size	5	10	15	20	30	40	50	60	70	80	90	100	150	200	300	400	500		
IIA	100/19/80	DN50	2"	<0.5	<0.5	<0.5	<0.5	<0.5	0.5	0.7	0.8	1.0	1.1	1.3	1.5	2.4	3.4	5.9	8.9	12.5	
	IIB1	150/19/80	DN80	3"	<0.5	<0.5	<0.5	<0.5	<0.5	<0.5	<0.5	<0.5	<0.5	<0.5	<0.5	0.5	0.8	1.1	1.8	2.5	3.3
		200/19/80	DN100	4"	<0.5	<0.5	<0.5	<0.5	<0.5	<0.5	<0.5	<0.5	<0.5	<0.5	<0.5	<0.5	0.7	1.1	1.5	2.1	
		300/19/80	DN150	6"	<0.5	<0.5	<0.5	<0.5	<0.5	<0.5	<0.5	<0.5	<0.5	<0.5	<0.5	<0.5	<0.5	<0.5	<0.5	0.5	0.7
		400/19/80	DN200	8"	<0.5	<0.5	<0.5	<0.5	<0.5	<0.5	<0.5	<0.5	<0.5	<0.5	<0.5	<0.5	<0.5	<0.5	<0.5	<0.5	<0.5
		500/19/80	DN250	10"	<0.5	<0.5	<0.5	<0.5	<0.5	<0.5	<0.5	<0.5	<0.5	<0.5	<0.5	<0.5	<0.5	<0.5	<0.5	<0.5	<0.5
600/19/80	DN300	12"	<0.5	<0.5	<0.5	<0.5	<0.5	<0.5	<0.5	<0.5	<0.5	<0.5	<0.5	<0.5	<0.5	<0.5	<0.5	<0.5	<0.5		
IIB2	100/19/60	DN50	2"	<0.5	<0.5	<0.5	0.5	0.8	1.1	1.3	1.6	1.9	2.2	2.5	2.8	4.3	5.9	9.4	13.4	17.8	
	IIB3	150/19/60	DN80	3"	<0.5	<0.5	<0.5	<0.5	<0.5	<0.5	0.5	0.6	0.7	0.8	0.9	1.0	1.6	2.1	3.3	4.5	5.8
		200/19/60	DN100	4"	<0.5	<0.5	<0.5	<0.5	<0.5	<0.5	<0.5	<0.5	<0.5	<0.5	<0.5	0.5	0.8	1.1	1.6	2.2	2.7
		300/19/60	DN150	6"	<0.5	<0.5	<0.5	<0.5	<0.5	<0.5	<0.5	<0.5	<0.5	<0.5	<0.5	<0.5	<0.5	<0.5	0.6	0.8	1.0
		400/19/60	DN200	8"	<0.5	<0.5	<0.5	<0.5	<0.5	<0.5	<0.5	<0.5	<0.5	<0.5	<0.5	<0.5	<0.5	<0.5	<0.5	0.5	0.6
		500/19/60	DN250	10"	<0.5	<0.5	<0.5	<0.5	<0.5	<0.5	<0.5	<0.5	<0.5	<0.5	<0.5	<0.5	<0.5	<0.5	<0.5	<0.5	<0.5
600/19/60	DN300	12"	<0.5	<0.5	<0.5	<0.5	<0.5	<0.5	<0.5	<0.5	<0.5	<0.5	<0.5	<0.5	<0.5	<0.5	<0.5	<0.5	<0.5		
IIB	100/19/45	DN50	2"	<0.5	<0.5	0.7	1.0	1.6	2.3	3.0	3.9	4.9	5.9	7.0	8.2	15.5	24.9	49.8	82.9	124.1	
	150/19/45	DN80	3"	<0.5	<0.5	<0.5	<0.5	<0.5	0.7	0.9	1.1	1.3	1.5	1.8	2.0	3.5	5.3	9.7	15.2	21.9	
	200/19/45	DN100	4"	<0.5	<0.5	<0.5	<0.5	<0.5	<0.5	<0.5	0.6	0.7	0.8	0.9	1.4	2.1	3.5	5.3	7.3		
	300/19/45	DN150	6"	<0.5	<0.5	<0.5	<0.5	<0.5	<0.5	<0.5	<0.5	<0.5	0.5	0.6	0.8	1.1	1.7	2.3	3.0		
	400/19/45	DN200	8"	<0.5	<0.5	<0.5	<0.5	<0.5	<0.5	<0.5	<0.5	<0.5	<0.5	<0.5	<0.5	0.5	0.7	1.0	1.4	1.8	
	500/19/45	DN250	10"	<0.5	<0.5	<0.5	<0.5	<0.5	<0.5	<0.5	<0.5	<0.5	<0.5	<0.5	<0.5	<0.5	<0.5	0.7	0.9	1.2	
600/19/45	DN300	12"	<0.5	<0.5	<0.5	<0.5	<0.5	<0.5	<0.5	<0.5	<0.5	<0.5	<0.5	<0.5	<0.5	<0.5	<0.5	<0.5	0.7	0.8	
IIC	100/19/15	DN50	2"	2.5	5.2	8.1	11.3	18.2	25.8	34.0	42.7	51.8	61.2	70.7	80.3	125.9					
	150/19/15	DN80	3"	0.9	1.9	2.9	4.0	6.2	8.5	11.0	13.6	16.3	19.2	22.1	25.1	41.6	59.6	97.0	131.1		
	200/19/15	DN100	4"	<0.5	1.0	1.4	1.9	3.0	4.0	5.1	6.2	7.4	8.6	9.8	11.1	17.9	25.4	41.9	60.1	78.9	
	300/19/15	DN150	6"	<0.5	<0.5	0.6	0.7	1.1	1.5	1.9	2.3	2.7	3.1	3.5	4.0	6.1	8.5	13.5	19.0	24.9	
	400/19/15	DN200	8"	<0.5	<0.5	<0.5	<0.5	0.7	0.9	1.2	1.4	1.6	1.9	2.1	2.4	3.6	4.9	7.7	10.7	13.8	
	500/19/15	DN250	10"	<0.5	<0.5	<0.5	<0.5	<0.5	0.6	0.8	0.9	1.1	1.3	1.4	1.6	2.4	3.3	5.0	6.9	8.9	
600/19/15	DN300	12"	<0.5	<0.5	<0.5	<0.5	<0.5	<0.5	0.6	0.7	0.8	0.9	1.0	1.1	1.7	2.3	3.5	4.8	6.1		

			Flow in Nm ³ /h Air																	
Gas Group	Element	Pipe Size	600	700	800	900	1000	2000	3000	4000	5000	6000	7000	8000	9000	200	10000	12000	16000	
IIA	100/19/80	DN50	2"	16.6	21.2	26.4														
	IIB1	150/19/80	DN80	3"	4.2	5.2	6.3	7.4	8.6											
		200/19/80	DN100	4"	2.6	3.3	3.9	4.7	5.4	16.4	33.2									
		300/19/80	DN150	6"	0.8	1.0	1.2	1.3	1.5	3.9	7.0	11.1	16.0	21.9	28.7					
		400/19/80	DN200	8"	<0.5	0.6	0.7	0.7	0.8	2.0	3.4	5.2	7.3	9.7	12.5	15.6	19.0	22.8	31.5	
		500/19/80	DN250	10"	<0.5	<0.5	<0.5	<0.5	0.5	1.2	2.0	3.0	4.1	5.3	6.7	8.3	10.0	11.9	16.1	20.9
600/19/80	DN300	12"	<0.5	<0.5	<0.5	<0.5	<0.5	0.8	1.3	1.9	2.6	3.3	4.1	5.0	5.9	6.9	9.2	11.8	14.7	
IIB2	100/19/60	DN50	2"	22.7	28.1															
	IIB3	150/19/60	DN80	3"	7.1	8.5	9.9	11.4	13.0											
		200/19/60	DN100	4"	3.3	3.9	4.5	5.1	5.8	13.1	22.1									
		300/19/60	DN150	6"	1.3	1.5	1.7	1.9	2.1	4.5	7.0	9.8	12.9	16.2	19.8					
		400/19/60	DN200	8"	0.8	0.9	1.0	1.2	1.3	2.6	4.1	5.6	7.2	8.9	10.7	12.6	14.6	16.7	21.2	
		500/19/60	DN250	10"	0.5	0.6	0.7	0.8	0.9	1.8	2.7	3.7	4.7	5.7	6.8	8.3	10.0	11.9	16.1	20.9
600/19/60	DN300	12"	<0.5	<0.5	<0.5	0.6	0.6	1.2	1.9	2.6	3.2	3.9	4.7	5.4	6.2	6.9	8.6	10.3	12.1	
IIB	100/19/45	DN50	2"	173.0																
	150/19/45	DN80	3"	29.7	38.7	48.8	60.0	72.4												
	200/19/45	DN100	4"	9.7	12.3	15.3	18.5	22.0	72.8											
	300/19/45	DN150	6"	3.6	4.3	5.0	5.8	6.5	16.8	33.1	57.8	93.4	142.2							
	400/19/45	DN200	8"	2.1	2.5	2.9	3.3	3.7	8.5	14.8	23.3	34.6	49.0	67.3	90.0	117.5	150.5			
	500/19/45	DN250	10"	1.4	1.7	1.9	2.2	2.4	5.3	8.7	12.8	17.9	24.1	31.5	40.4	50.9	63.2	93.8	133.6	184.0
600/19/45	DN300	12"	1.0	1.2	1.4	1.5	1.7	3.6	5.7	8.1	10.9	14.1	17.9	22.1	27.0	32.6	46.0	62.9	83.8	
IIC	100/19/15	DN50	2"																	
	150/19/15	DN80	3"																	
	200/19/15	DN100	4"	97.7	115.7															
	300/19/15	DN150	6"	31.2	37.8	44.6	51.7	59.0												
	400/19/15	DN200	8"	17.2	20.7	24.3	28.1	32.0	75.7	119.9										
	500/19/15	DN250	10"	10.9	13.1	15.3	17.6	20.0	47.0	77.6	108.1									
600/19/15	DN300	12"	7.5	8.9	10.3	11.8	13.4	30.9	51.2	73.1	95.2	116.3	135.1							

Flame Arrester

End-of-line,
with automatic opening hood,
deflagration

Model 312

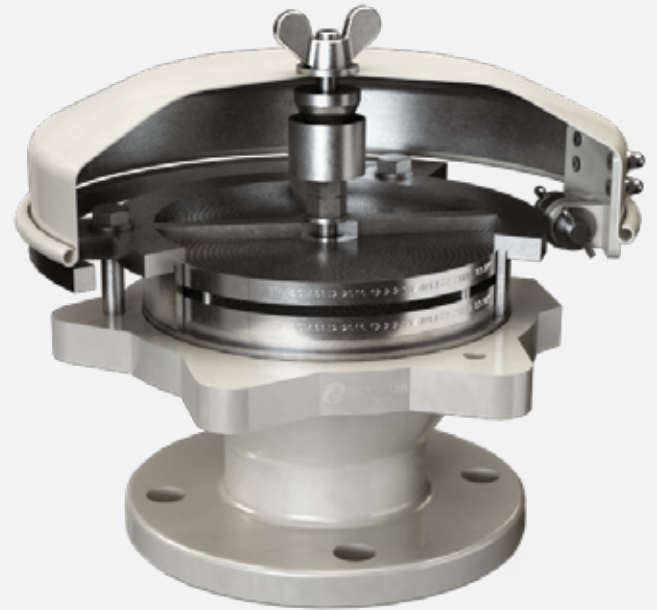


Product Description

StorageTech™ Flame Arresters (End-of-line, with Automatic Opening Hood) are passive devices that prevent the propagation of a flame or fire from entering into an opening in a pipeline or vessel discharging flammable vapor.

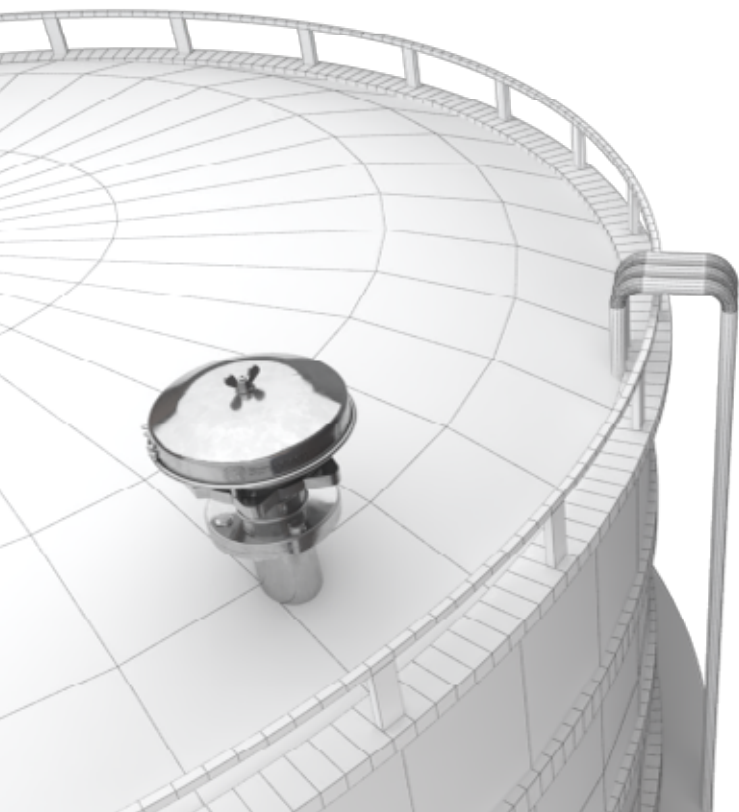
As an unique specification, Model 312 end of line flame arrester's weather hood is designed to react fire instantly tanks to it's fusible link, which is melted during the fire and let the weather hood release the gas/fire to the atmosphere. The flame cell, under normal operation, allows the free flow of vapor, although it does introduce some additional pressure loss that must be considered in the design of the system. This deflagration flame arrester is suitable for quenching subsonic flames and should be located at the end of a pipeline or exit from a vessel.

It should be installed in the horizontal plane and is not for use with pressure relief valves or pressure-vacuum relief valves. A weather hood and screen protects the vent and restricts dust, wind, rain, or insects from entering and degrading the efficacy of the product. The unit is supplied with an earth point, copper tag and cable. Cap has a special opening mechanism, which allows opening automatically after certain time and temperature, so fireflies freely to minimize the effect. The cell can be removed for cleaning or replacement.



StorageTech provides the high quality and reliable solutions for your needs with 40 years of experience.

Your investments will be much safer with StorageTech™ Flame Arrester solutions, which are completely produced in accordance with international norms.



Standard Sizes	1" to 12" DN25 to DN300
Body / Flanges	1- Carbon steel 2- Stainless steel AISI 316 –L or 304-L 3- Aluminium 4- Customer Specification
Flange Drilling	API Class 150, PN16, and Special
Flame Element	Stainless steel AISI 316 –L or 304-L
O-ring Seal	Nitrile, Special
Screen	Stainless steel
Weather Hood	Carbon steel, Stainless steel or Aluminium
Paint Finish	1- Powder Coating, Colour RAL 9006 2- Epoxy Paint, Colour RAL 9006 3- Customer Specification
ATEX Cert	Ex II 1/2 G IIA

Manufacturing Materials

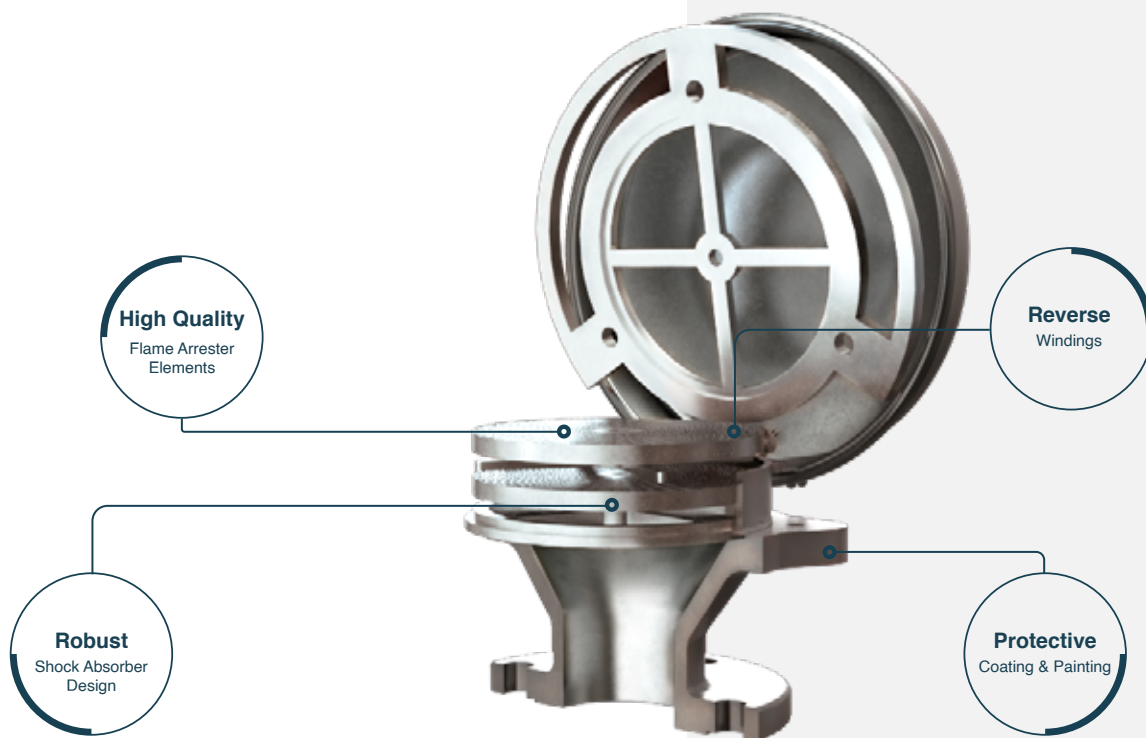
Housing	Cell	Gass Group
Carbon Steel	304 S.S.	IIA-IIB
304 S.S.	316 S.S.	
316 S.S.		
Aluminum		

Design & Manufacturing Specifications



The size of the vent should be calculated in accordance with API Standard 2000 (ISO 28300) - Venting Atmospheric and Low-Pressure Storage Tanks or other international standards.

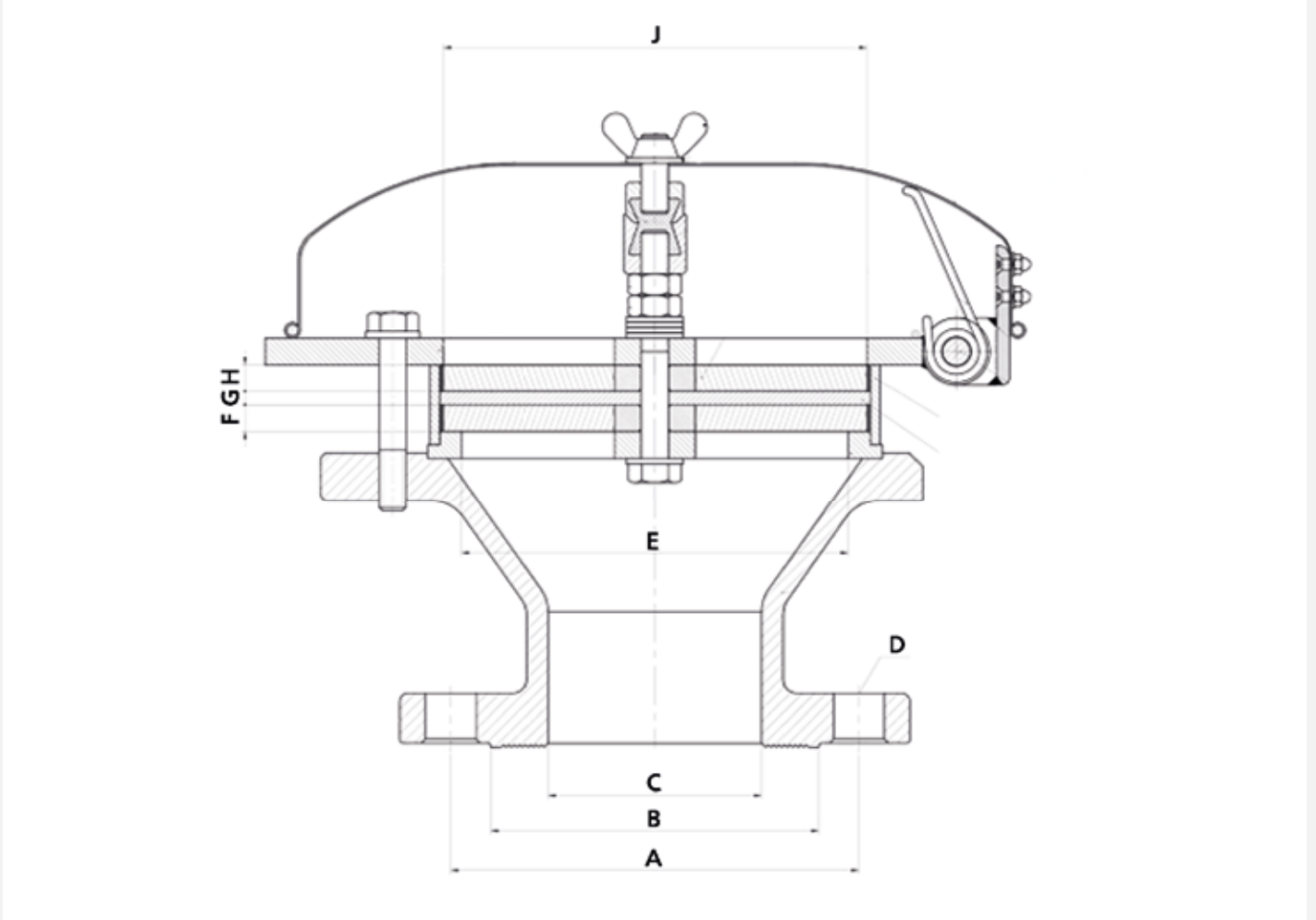
Certificates & Standards



Key Features

- Model 312 end of line flame arrester's weather hood is designed to react fire instantly tanks to it's fusible link, which is melted during the fire and let the weather hood release the gas/fire to the atmosphere.
- Internal materials are stainless steel and carbon steel.
- Easy to clean internal materials. Easy to install. You do not need a special tool or experience to install the StorageTech™ flame arrester Model 312.
- Comes with the paint color you choose.
- Standard manufacturing comes with all standards such as API 150, ASME and PN class flange; however other flange types are available up on request. Protection cap is manufactured from aluminum material.

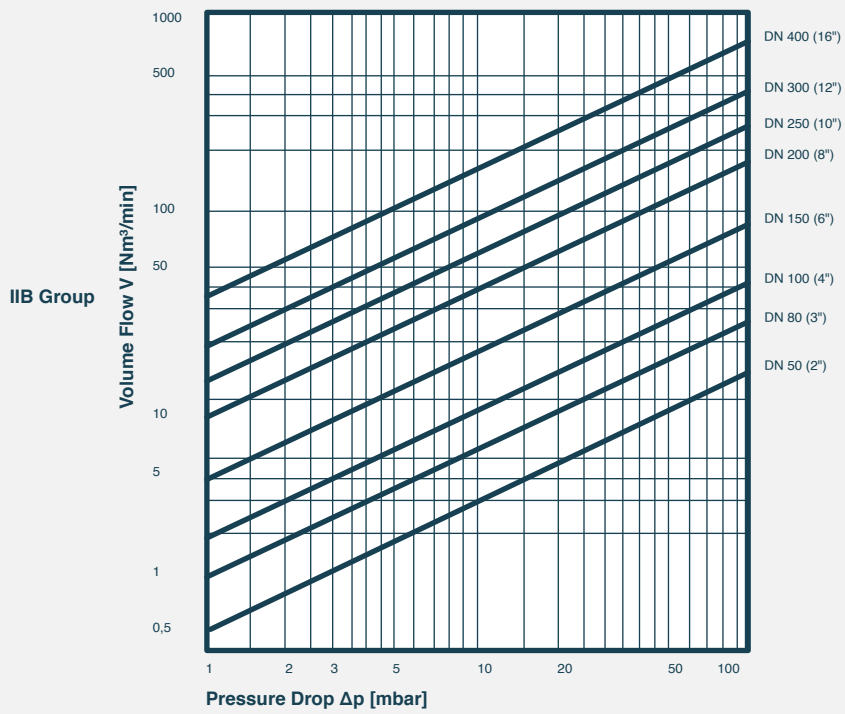
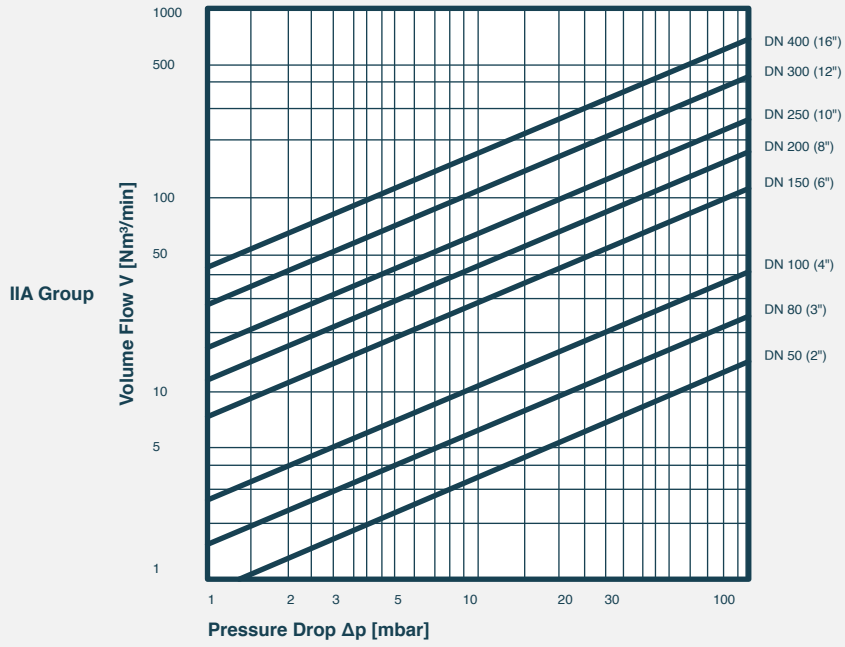
Technical Drawing



Dimensions

SIZE		A		B		C	D		E	F	G	H
NPS	DN	ANSI 150# RF	PN 16	ANSI 150# RF	PN 16		ANSI 150# RF	PN 16				
2"	50	92	102	120.6	125	60	Ø19x4	Ø18x4	95	10	5	10
3"	80	127	138	152.4	160	90	Ø19x4	Ø18x8	145	10	5	10
4"	100	157.2	158	190.5	180	100	Ø19x8	Ø18x8	186	10	5	10
6"	150	216	212	241.3	240	150	Ø22x8	Ø22x8	240	10	5	10
8"	200	270	268	298.4	295	210	Ø22x8	Ø22x12	299	10	5	10

Flow Capacity Curves



Flame Arrester

Horizontal, in-line, detonation



Model 321

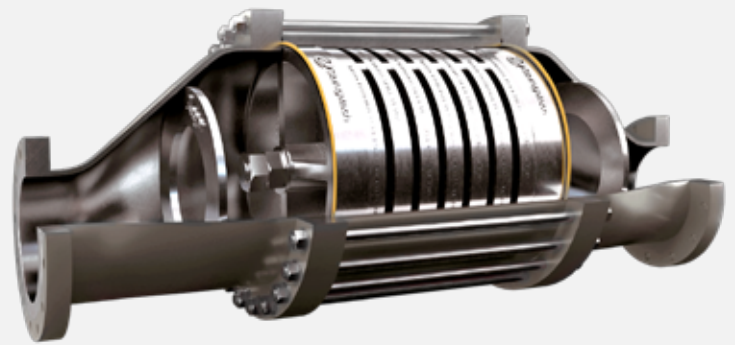
Product Description

Storagetech Model Number 321 detonation flame arrester is a safety device that has a flame barrier with a large number of defined passage gaps, whose gap cross section is set with regard to the properties of the flowing gas, is cooled effectively and secured against a flame flashback in the case of continuous combustion by the fact that second gaps having a smaller gap cross section are arranged adjacent to the first gaps having the selected gap cross section.

The detonation arrester is designed to withstand higher pressures than the flame arrester and quench detonations.

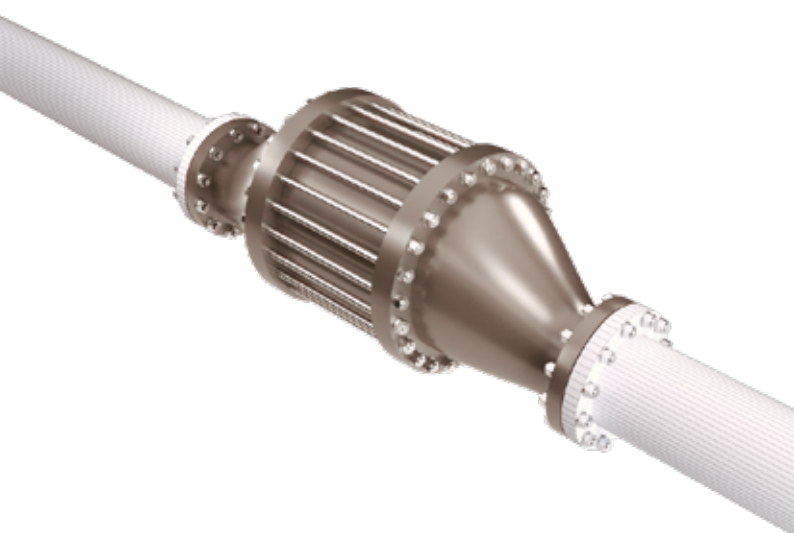
This in-line detonation flame arrester is designed to be installed in a pipeline where there is a significant distance between the arrester and the potential source of ignition, or where the pipe is not straight and smooth, and there may be roughness, obstructions, bends, junctions or changes in section in the intervening pipework.

They are typically mounted to a flange or pipe, which connects the vapor space of a storage tank or a pipeline.



StorageTech provides the high quality and reliable solutions for your needs with 40 years of experience.

Your investments will be much safer with Storagetech™ Flame Arrester solutions, which are completely produced in accordance with international norms.



Standard Sizes	1" to 12" DN25 to DN300
Body / Flanges	1- Carbon steel 2- Stainless steel AISI 316 –L or 304-L 3- Aluminium 4- Customer Specification
Flange Drilling	API Class 150, PN16, and Special
Flame Element	Stainless steel AISI 316 –L or 304-L
O-ring Seal	Nitrile, Special
Screen	Stainless steel
Weather Hood	Carbon steel, Stainless steel or Aluminium
Paint Finish	1- Powder Coating, Colour RAL 9006 2- Epoxy Paint, Colour RAL 9006 3- Customer Specification
ATEX Cert	Ex G IIB

Manufacturing Materials

Housing	Cell	Gass Group
Carbon Steel	304 S.S.	IIB
304 S.S.	316 S.S.	
316 S.S.		
Aluminum		

Design & Manufacturing Specifications

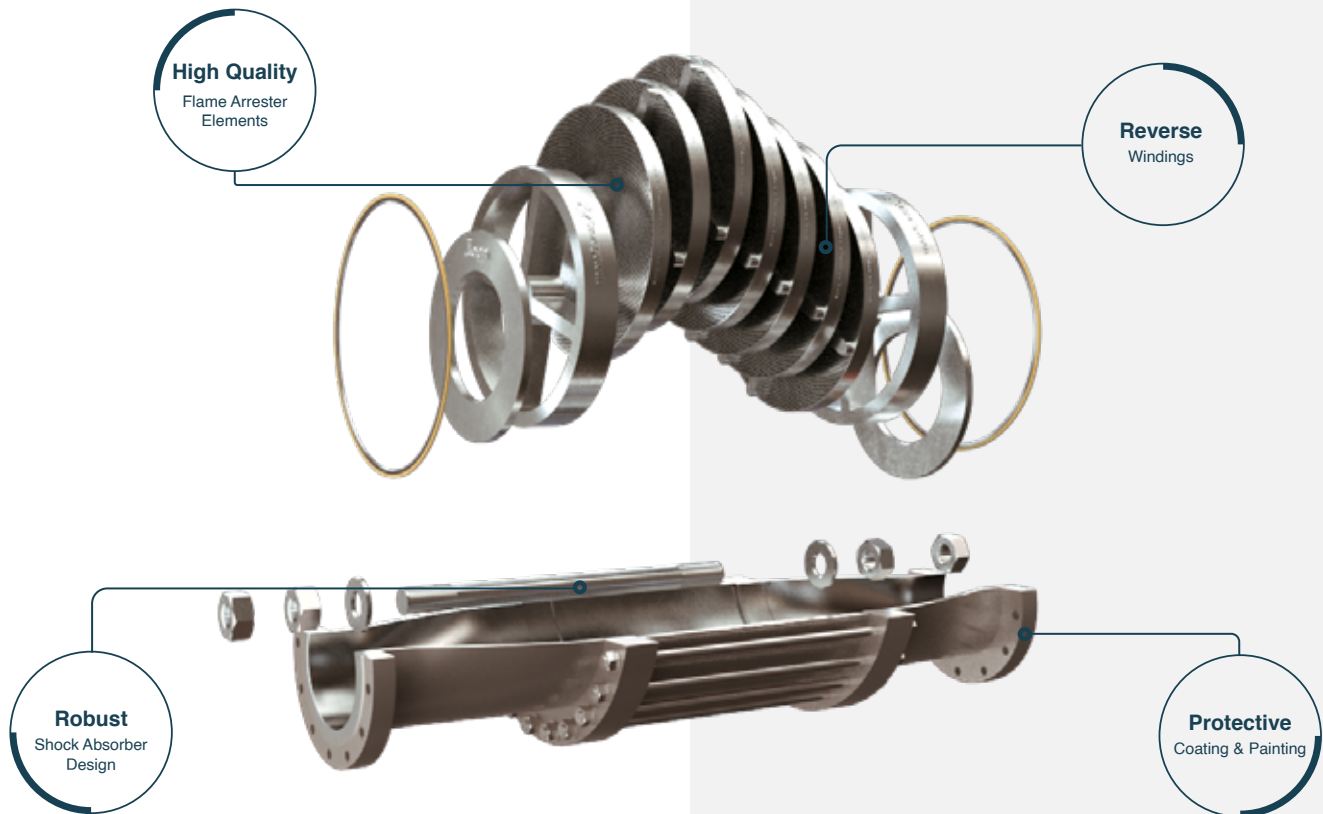


The size of the vent should be calculated in accordance with API Standard 2000 (ISO 28300) - Venting Atmospheric and Low-Pressure Storage Tanks or other international standards.

Product Benefits

StorageTech flame arrester Model 321 provides safety. It blocks the flame and does not allow flame travel through a pipeline or any in out-let. Protect s environment .Flame arrester prevents your facility against fire that is caused by explosions. Stop the shockwaves and controls the flash-back explosions.

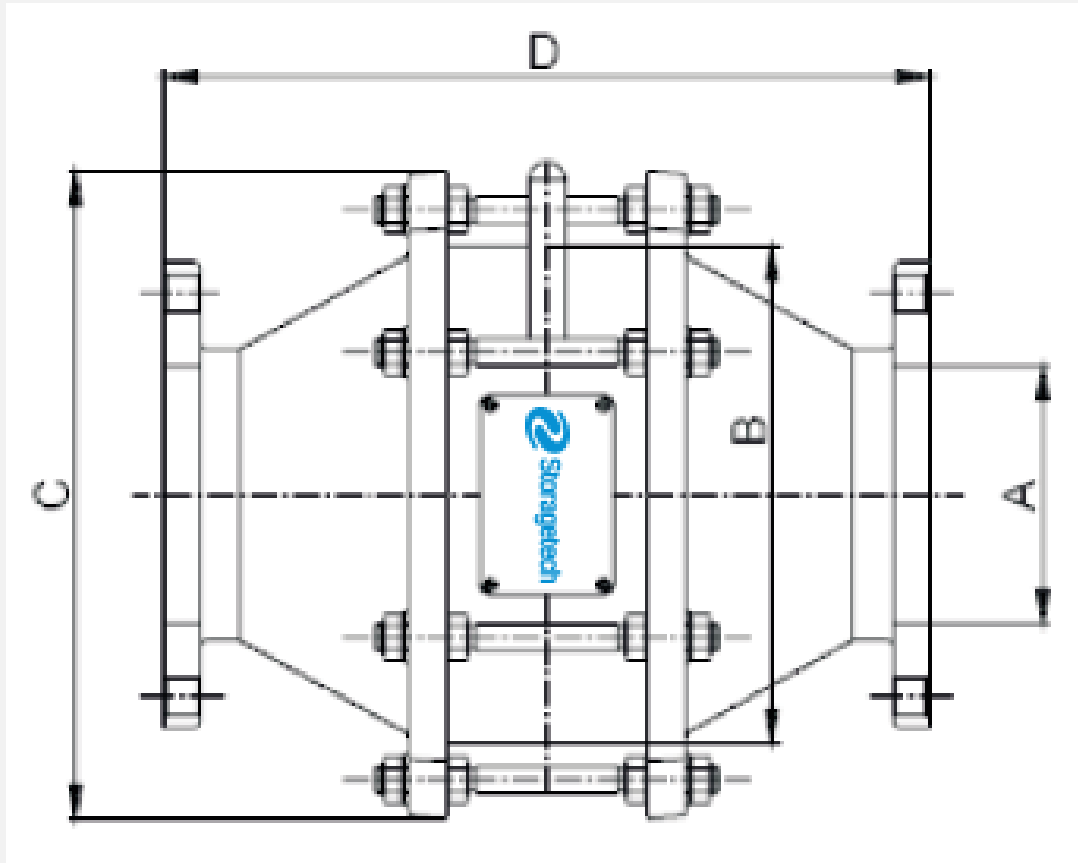
Certificates & Standards



Key Features

- StorageTech™ PW Model 321 internal materials are AISI 316 or 304 stainless steel.
- Easy to clean internal materials.
- Easy to install. You do not need a special tool or experience to install the StorageTech Flame Arrester Model 321.
- StorageTech™ PVV Model 321 comes with the paint color you choose.
- Standard manufacturing comes with API 150 class flange; however other flange types are available on request.
- Protection cap is manufactured from aluminum material.

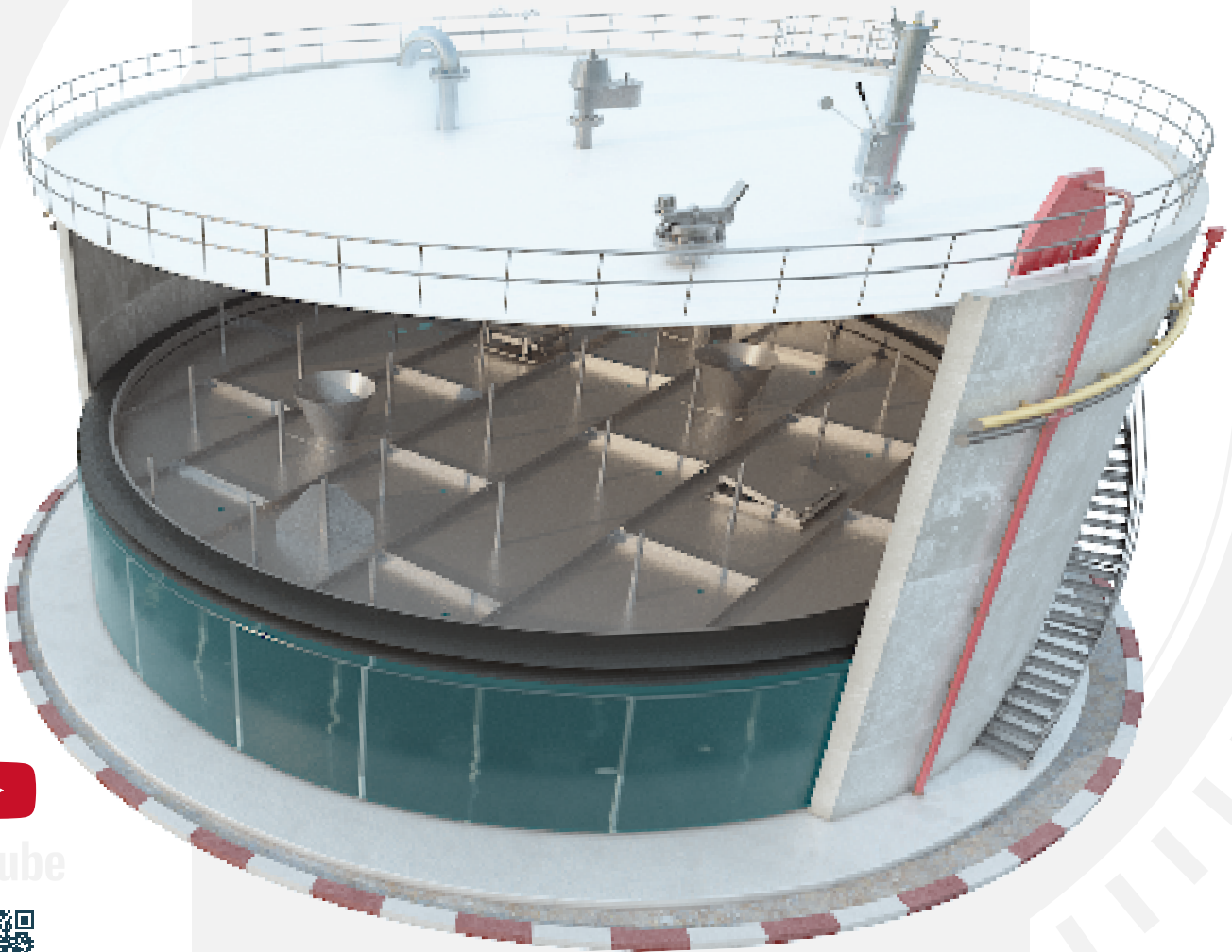
Technical Drawing



Weight & Dimensions

MODEL	A Nominal Conn. Size Inch (mm)	B Housing Size Inch (mm)	C Outside Dimeter Inch (mm)	D Overall Length Inch (mm)	Approx. Wt. Weight Lb. (Kg)
340	2 (52)	5 (127)	7 (180)	9 (229)	27 (12.3)
340	3 (80)	7-1/5 (183)	10 (250)	11 (281)	51.6 (23.2)
340	4 (110)	9-1/2 (242)	9-5/6 (250)	16-1/2 (418)	87.8 (39.5)
340	6 (154)	13-1/2 (342)	13-1/3 (338)	18-1/9 (460)	160.8 (72.4)
340	8 (203)	14-3/17 (360)	20-1/2 (438)	19 (480)	222 (100)
340	10 (255)	19-1/3 (490)	22-1/7 (570)	19-3/7 (494)	3533.1 (158.9)
340	12 (304)	26-1/2 (675)	31 (785)	25-7/12 (650)	602.4 (271.1)

Floating Roof & SEALS



YouTube



Certificates & Standards



Pressure Vacuum Relief Valve with Flame Arrester



End-of-line, weight loaded, integrated,
atmospheric deflagration proof
Model 102

Product Description

Storagetech™ Model 102 Pressure-Vacuum Relief Valve with Integrated End-of-line Flame Arrester provides total security of mind to operators of storage tanks. The Model 102 ensures protection against damage through over-pressurisation, implosion due to vacuum conditions, and prevents any external flame entering the tank.

In the closed position the pressure relief pallet and diaphragm assembly is held tightly against a seal to prevent the loss of vapour to atmosphere. As the internal pressure in the tank increases, due to product filling and vapour development, the pressure in tank increases and in the event that the set pressure of the unit is reached, the diaphragm will open and discharge the gas to atmosphere.

The opening set-point is selectable from a range between 1 and 28.1 W.C. (2.5 and 70 mbar), and the valve will re-seal when the tank returns to a safe pressure.

The vacuum pallet and diaphragm assembly is similarly maintained in the closed position.

As the internal pressure in the tank reduces, due to emptying, the balance between the tank pressure and the external atmospheric pressure changes, and when the set pressure of the unit is reached, the diaphragm opens to admit air and rebalance the internal pressure.



StorageTech provides the high quality and reliable solutions for your needs with 40 years of experience.

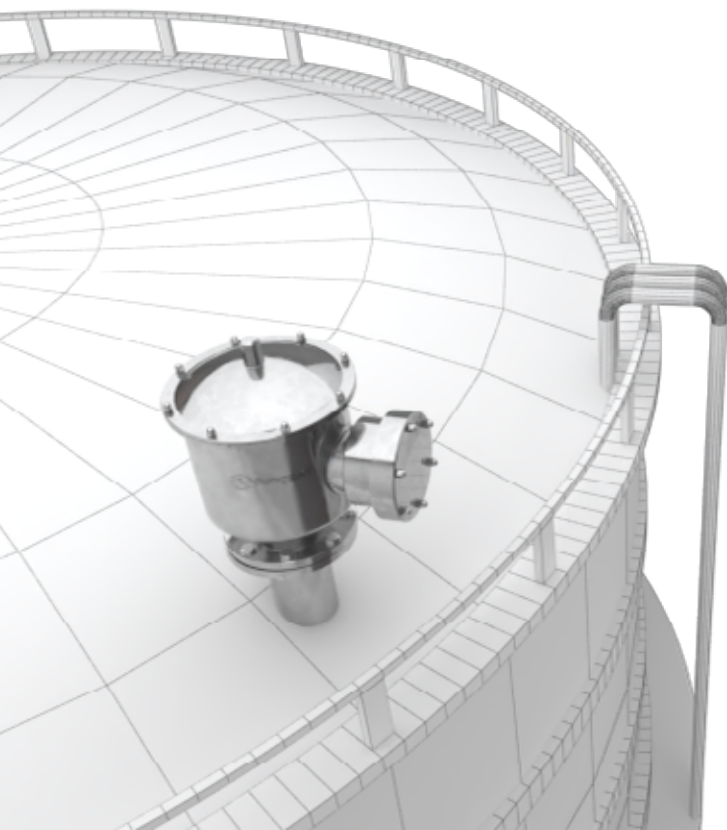
Your investments will be much safer with Storagetech™ Flame Arrester solutions, which are completely produced in accordance with international norms.

Setting Range

Pressure	Weight-loaded 2.5 mbar to 70 mbar
Ambient temp.	-20 C to +60 C

Construction

Sizes	2" to 12" 50 to 300mm
Flanges	API Class 150 RF, DIN PN16
Body	Carbon steel, stainless steel, or aluminium
Cap	Carbon steel, stainless steel, or aluminium
Cover	Carbon steel, stainless steel, or aluminium
Seals	Viton, Teon, and Klingrit
Pallet	Stainless steel AISI 304
Paint Finish	1- Powder Coating, Colour RAL 9006 2- Epoxy Paint, Colour RAL 9006 3- Customer Specification



The vacuum set-point is selectable from a range between 1 and 28.1 W.C. (2.5 and 70 mbar). The valve will reseal when the tank returns to a safe pressure.

Unlike the conventional PVRV, the Model 102 discharges vapour and takes in air through the same vent, consequently a single end-of-line flame arrester provides protection from the potential ingress of flames emanating from an external fire.

The integral Deflagration Flame Arrestor is designed to minimise pressure loss and with an element constructed with a <0.65mm Maximum Experimental Safe Gap is suitable for gas groups IIB and IIA.

Several features are inherent in the valve design to ensure a smooth, positive and effective operation.

The body is self-draining and drip design prevents condensate from settling on seating surfaces.

A diaphragm and seal manufactured from Teflon reduce the possibility of ice formation and sticky residues hindering the valve opening, while the pallet assembly moves freely on its guide post.

Manufacturing Materials

Housing	Cell	Gas Group
Carbon Steel	304 S.S.	IIA*
304 S.S.	316 S.S.	
316 S.S.		
Aluminum		

Design & Manufacturing Specifications



ISO 16852:2008 - Flame Arresters, Performance requirements, test methods and limits of use.

API RP 2210 - Flame Arrestors for Vents of Tanks Storing Petroleum Product.

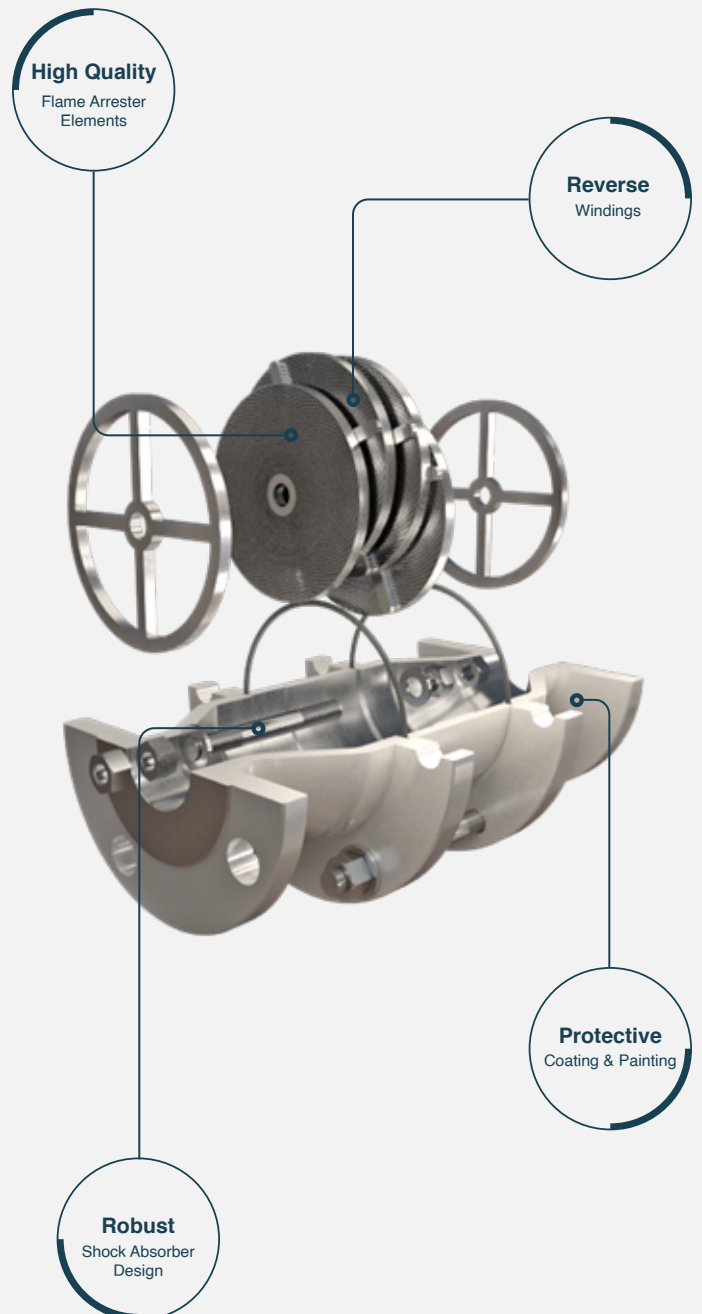
The size of the vent should be calculated in accordance with API Standard 2000 (ISO 28300) - Venting Atmospheric and Low-Pressure Storage Tanks or other international standards.

The integrity of the seal is tested for leakage in accordance with API Standard 2521 - Use of Pressure-Vacuum Vent Valves for Atmospheric Loss.

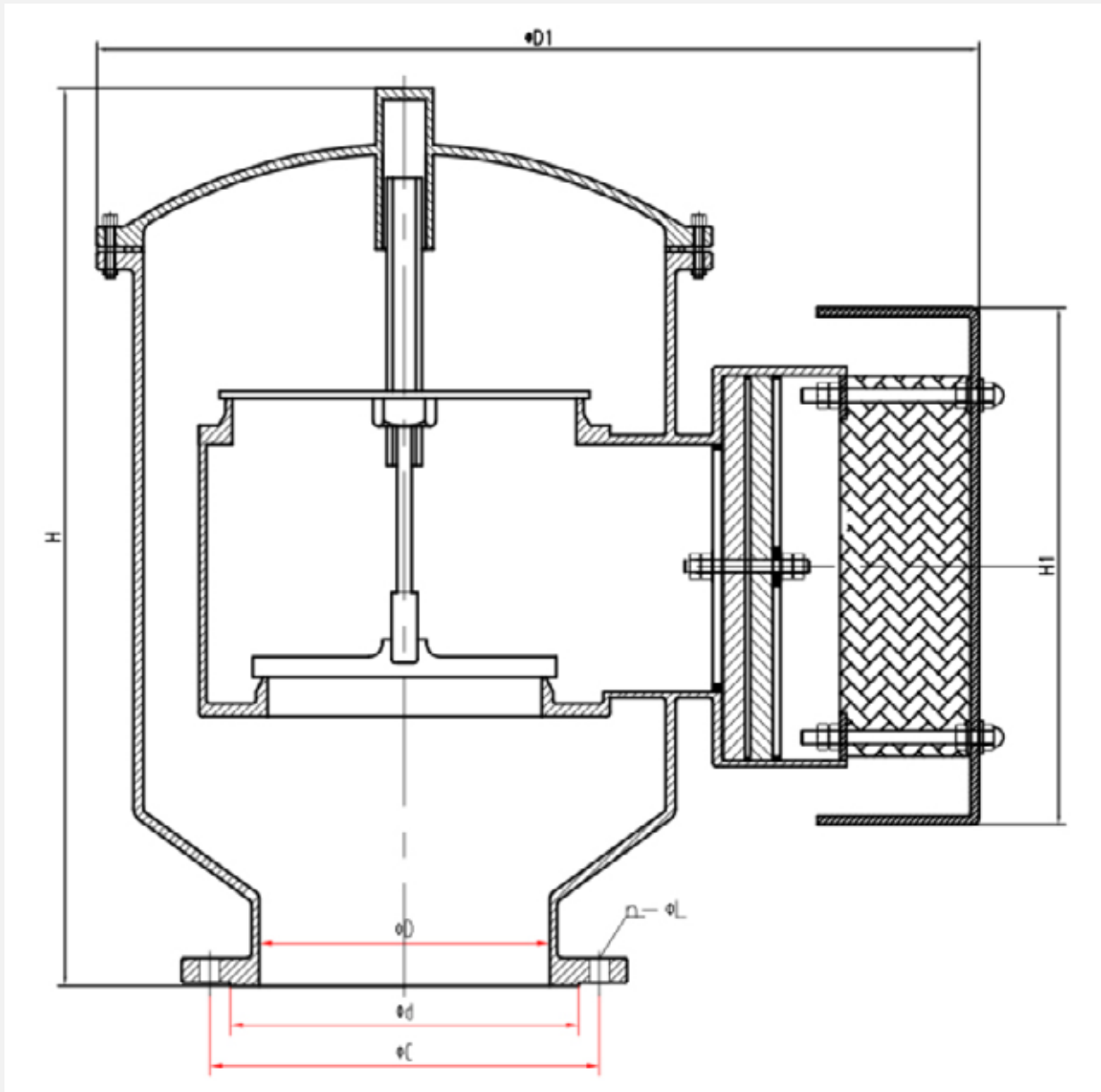
Product Benefits

StorageTech™ Flame Arrester Model 300 provides safety. It blocks the flame and does not allow flame travel through a pipeline or any in out-let. Protects environment. Flame arrester prevents your facility against fire that is caused by explosions.

Certificates & Standards



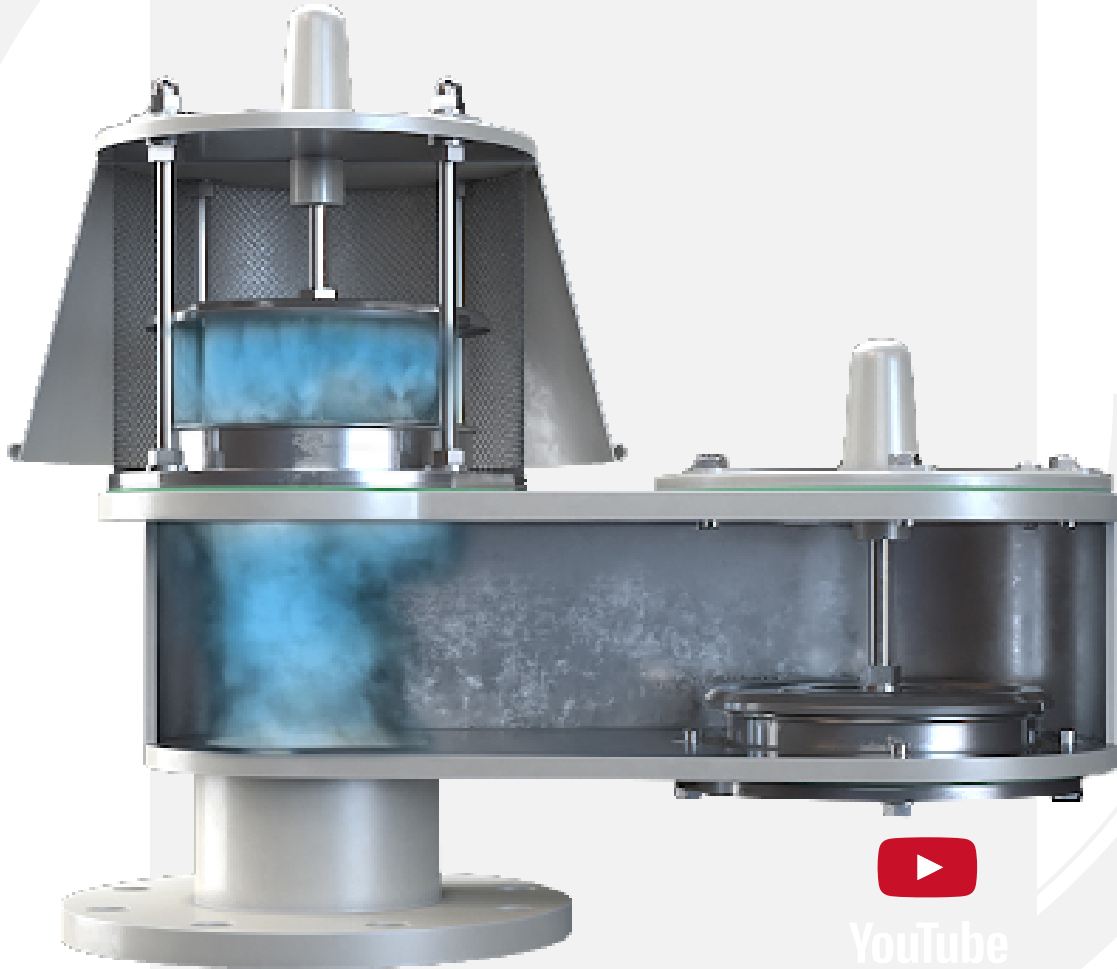
Technical Drawing



Dimensions

ØD	Ød	ØC	ØL	n	ØD1	H	H1
2"	92	120,5	18	4	310	195	168
3"	127	152,5	18	4	360	240	205
4"	157,5	190,5	18	4	380	265	230
6"	216	241,5	22	8	450	285	275
8"	270	298,5	22	8	505	320	320
10"	324	362	26	12	565	380	350
12"	381	432	26	12	645	450	435

PRESSURE VACUUM RELIEF VALVE



YouTube



Certificates & Standards



Pressure Vacuum Relief Valve with Flame Arrester

End-of-line, weight loaded, combination, atmospheric deflagration proof
Model 330



Product Description

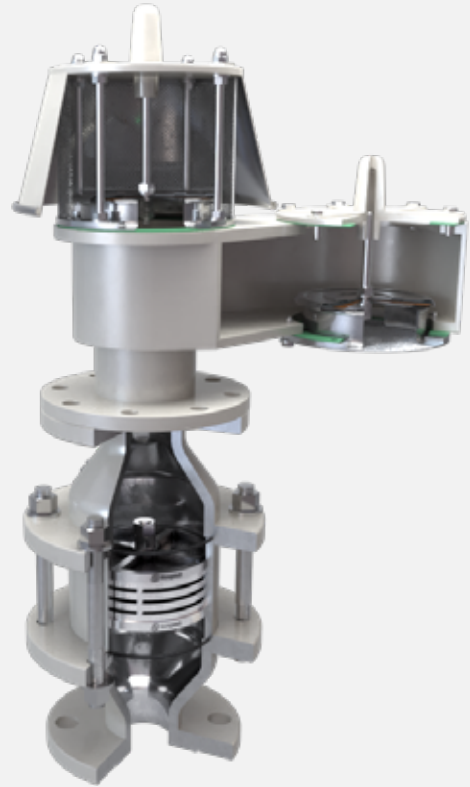
The assembly of this pressure relief valve with an effective flame arrester will enhance the safety of personnel, site location, and equipment, by reducing or eliminating the risk of ashover through the vent.

The Unit Will Comprise

Model 300	Flame Arrester - Vertical, in-line, deflagration
Model 100	Pressure Vacuum Relief Valve - Top mounted, end of line, weight

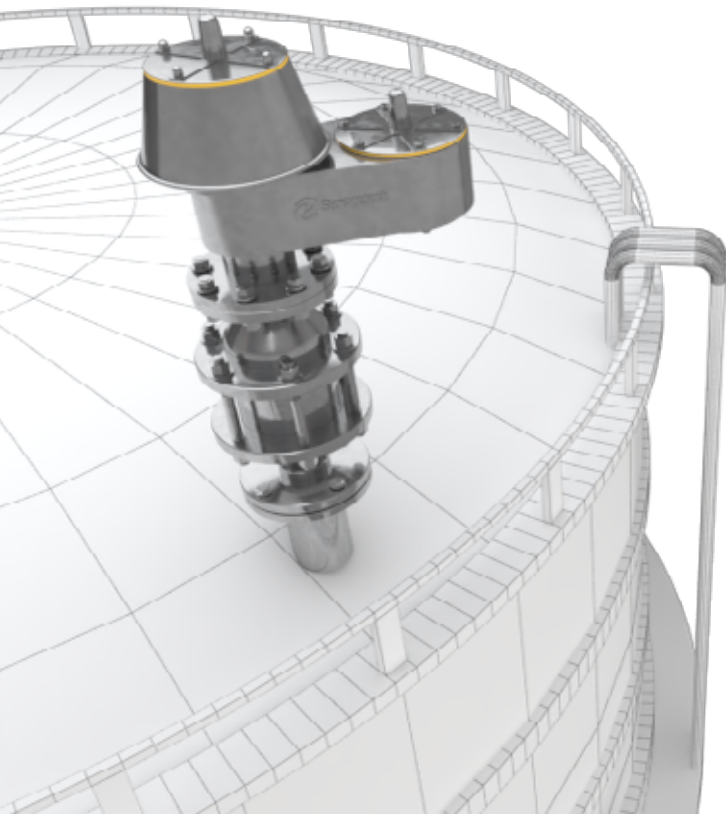
Additional Information

Data Sheet	Pressure Relief, Vacuum Relief, and Pressure-Vacuum Relief Valves
Data Sheet	Model 300 In-line Deflagration Flame Arrester
Data Sheet	Model 100 Pressure-vacuum Relief Valve (weight-loaded; discharge to atmosphere)



StorageTech provides the high quality and reliable solutions for your needs with 40 years of experience.

Your investments will be much safer with Storagetech™ Flame Arrester solutions, which are completely produced in accordance with international norms.



Standard Sizes	1" to 12" DN25 to DN300
Body / Flanges	1- Carbon steel 2- Stainless steel AISI 316 -L or 304-L 3- Aluminium 4- Customer Specification
Flange Drilling	API Class 150, PN16, and Special
Flame Element	Stainless steel AISI 316 -L or 304-L
O-ring Seal	Nitrile, Special
Screen	Stainless steel
Weather Hood	Carbon steel, Stainless steel or Aluminium
Paint Finish	1- Powder Coating, Colour RAL 9006 2- Epoxy Paint, Colour RAL 9006 3- Customer Specification
ATEX Cert	Ex II 1/2 G IIA

Manufacturing Materials

Housing	Cell	Gass Group
Carbon Steel	304 S.S.	IIA, IIB*
304 S.S.	316 S.S.	
316 S.S.		
Aluminum		

Design & Manufacturing Specifications

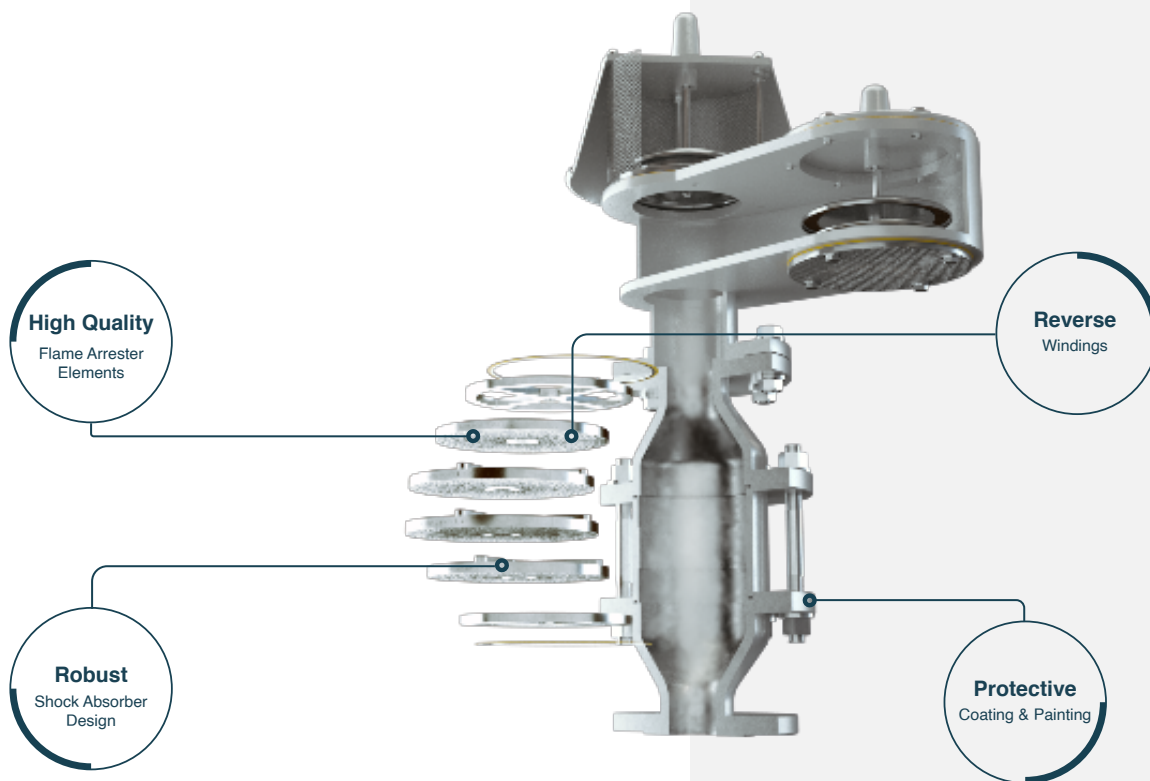


The size of the vent should be calculated in accordance with API Standard 2000 (ISO 28300) - Venting Atmospheric and Low-Pressure Storage Tanks or other international standards.

Product Benefits

StorageTech™ Flame Arrester Model 330 provides safety. It blocks the flame and does not allow flame travel through a pipeline or any in out-let. Protect s environment. Flame arrester prevents your facility against fire that is caused by explosions. Controls the internal pressure of a storage tank or a container.

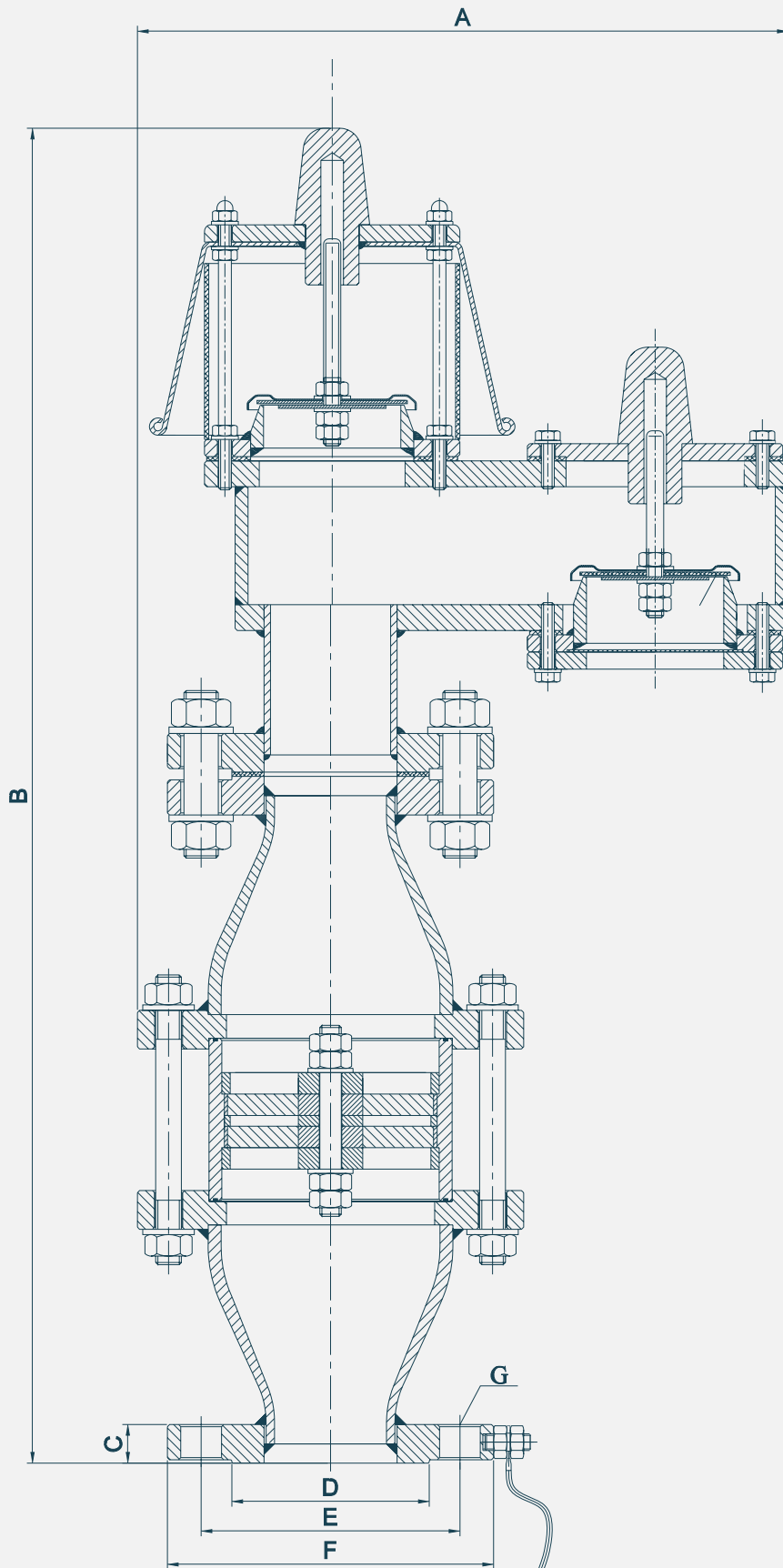
Certificates & Standards



Key Features

- StorageTech™ PW Model 330 internal materials are AISI 316 or 304 stainless steel.
- Easy to clean internal materials.
- Easy to install. You do not need a special tool or experience to install the StorageTech™ Flame Arrester with pressure vacuum relief valve.
- StorageTech™ PVV Model 100 and model 300 Flame Arrester comes with the paint color you choose.
- Standard manufacturing comes with API 150 class flange; however other flange types are available on request.
- Also available with cap that is used to protect the ame arrester against dust and rain.

Technical Drawing



Flow Capacity Tables

Set Pressure (Ps) mm WC	Air Flow Capacity at 100% Overpressure 1000 Normal Cubic Meters per Hour at 0°C						
	2"	3"	4"	6"	8"	10"	12"
22.0	0.09	0.18	0.32	0.64	1.04	1.65	1.91
50.0	0.14	0.30	0.55	1.13	1.82	2.87	3.53
75.0	0.18	0.39	0.70	1.46	2.35	3.70	4.62
100	0.21	0.46	0.83	1.74	2.80	4.40	5.53
150	0.26	0.58	1.06	2.21	3.55	5.59	7.05
200	0.31	0.69	1.25	2.61	4.19	6.59	8.35
250	0.35	0.78	1.42	2.97	4.76	7.48	9.50
300	0.39	0.87	1.57	3.29	5.27	8.30	10.5
375	0.44	0.98	1.78	3.73	5.98	9.41	12.0
500	0.51	1.15	2.09	4.39	7.02	11.0	14.1
625	0.58	1.30	2.36	4.97	7.96	12.5	15.9
750	0.64	1.44	2.62	5.50	8.80	13.8	17.6

Weight & Dimensions

SIZE		A	B	C	D		E		F		G		TOTAL WEIGHT (kg)				
NPS	DN				ANSI 150# RF	PN 16	ANSI 150# RF	PN 16	ANSI 150# RF	PN 16	ANSI 150# RF	PN 16	WELDED		CASTING		
													CS	SS	AL	CS	SS
2"	50	310	607	18	92	102	120.6	125	152	165	Ø19x4	Ø18x4	22-33	25-33	9-13	29-39	29-39
3"	80	350	760	18	127	138	152.4	160	190	200	Ø19x4	Ø18x8	48-58	48-58	20-26	58-70	58-70
4"	100	425	881	18	157.2	158	190.5	180	229	220	Ø19x8	Ø18x8	68-78	68-78	34-42	81-95	81-95
6"	150	460	1132	18	216	212	241.3	240	279	285	Ø22x8	Ø22x8	104-118	104-118	53-65	129-150	129-150
8"	200	490	1600	18	270	268	298.4	295	343	340	Ø22x8	Ø22x12	185-205	185-215	82-97	210-250	210-250
10"	250	550	1904	18	324	320	362	355	406	405	Ø25.4x12	Ø26x12	255-290	255-300	150-190	335-395	335-395
12"	300	550	1500	18	381	378	431.8	410	483	460	Ø25.4x12	Ø26x12	400-455	400-475	260-310	540-620	540-620

Pressure Vacuum Vent

Housing	Seal/Pallet	Pallet Seal	Hardware	Weight	Gaskets
Cast Aluminum	Aluminum	FEP Teflon	304 S.S.	Carbon Steel	Compressed Fiber
Carbon Steel	304 S.S.		316 S.S.	304 S.S.	
304 S.S.	316 S.S.		18	316 S.S.	
316 S.S.			18	Lead	

Pressure Vacuum Relief Valve with Flame Arrester

End-of-line, spring loaded, combination,
atmospheric deflagration proof
Model 331

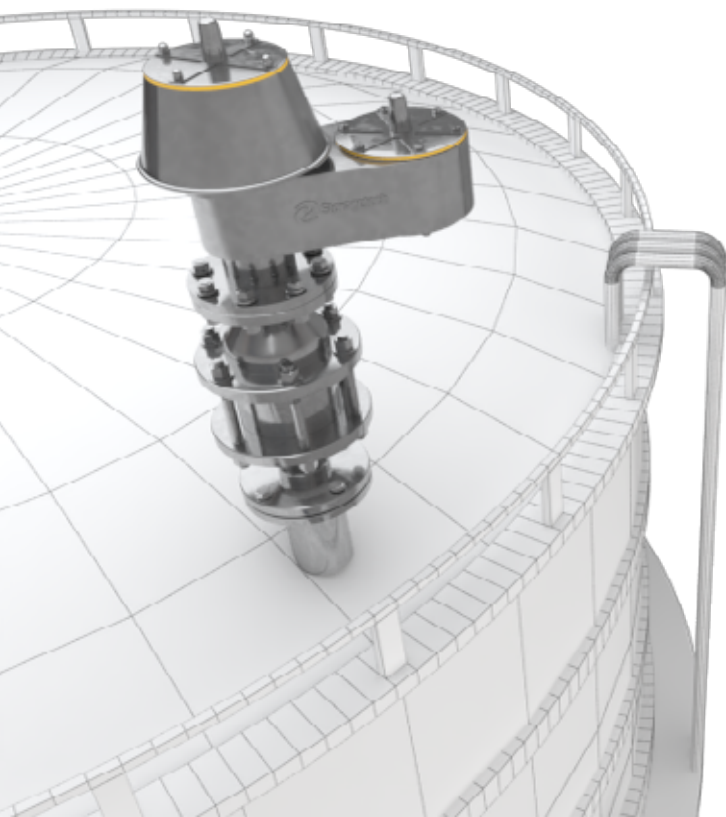


Product Description

The assembly of this pressure relief valve with an effective flame arrester will enhance the safety of personnel, site location, and equipment, by reducing or eliminating the risk of flashover through the vent.

The Unit Will Comprise

Model 300	Flame Arrester - Vertical, in-line, deflagration
Model 320	Flame Arrester - Vertical, in-line, detonation
Model 100	Pressure Vacuum Relief Valve (Weight Loaded, End-of-Line)
Model 101	Pressure Vacuum Relief Valve (Spring Loaded, End-of-Line)
Model 120	Pressure Vacuum Relief Valve (Top Mounted, Pipe Away, Weight Loaded)
Model 121	Pressure Relief Valve (Top Mounted, Pipe Away, Spring Loaded)



StorageTech provides the high quality and reliable solutions for your needs with 40 years of experience.

Your investments will be much safer with StorageTech™ Flame Arrester solutions, which are completely produced in accordance with international norms.

Design & Manufacturing Specifications



The size of the vent should be calculated in accordance with API Standard 2000 (ISO 28300) - Venting Atmospheric and Low-Pressure Storage Tanks or other international standards.

Together, We Can

Our Devotion Leads Us





35.000
SQUARE METER
MANUFACTURING
SPACE



300+
EMPLOYEES



40
YEARS
OF EXPERIENCE



4 MAIN
OFFICE



200+
DIVERSE RANGE
PRODUCTS



30+
INTERNATIONAL
REPRESENTATIVES



QUALITY
CERTIFICATES



AT 4
REGIONS



Äger GmbH

Germany Head Office + R&D + Sales

Herzogspitalstraße 24
Munich 80331
Germany
+49 (0) 89 1250 15240
www.aager.de
sales@aager.de

Turkey Head Office + Sales

Ağaoğlu My Office 212
No: 3 B Blok /175
P.K 34218 Güneşli – Bağcılar
Istanbul / Turkey
+90 212 485 40 07
+90 212 485 40 42
www.ergil.com
sales@ergil.com

Turkey Factory + Engineering + R&D + Sales

Mersin Tarsus OSB.13.CD.NO:7
P.K: 33540 Mersin, Turkey
+90 324 676 44 04
+90 324 676 44 03
sales@ergil.com

U.A.E. Sales + Warehouse

Jumeirah Lake Towers, X2 Tower 1906
P.O. Box: 123661 Dubai, U.A.E.
+971 4 450 8051
+971 4 450 8041
sales@ergil.com

catalog series

Flame Arrester

Revision No: 02
ST-CT-FA-09.21/V2
storagetech.de

September 2021

