

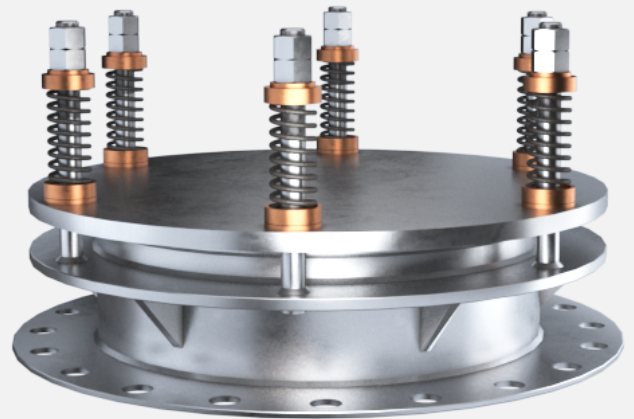
Emergency Relief Vent

Spring Loaded
Model 420



Product Description

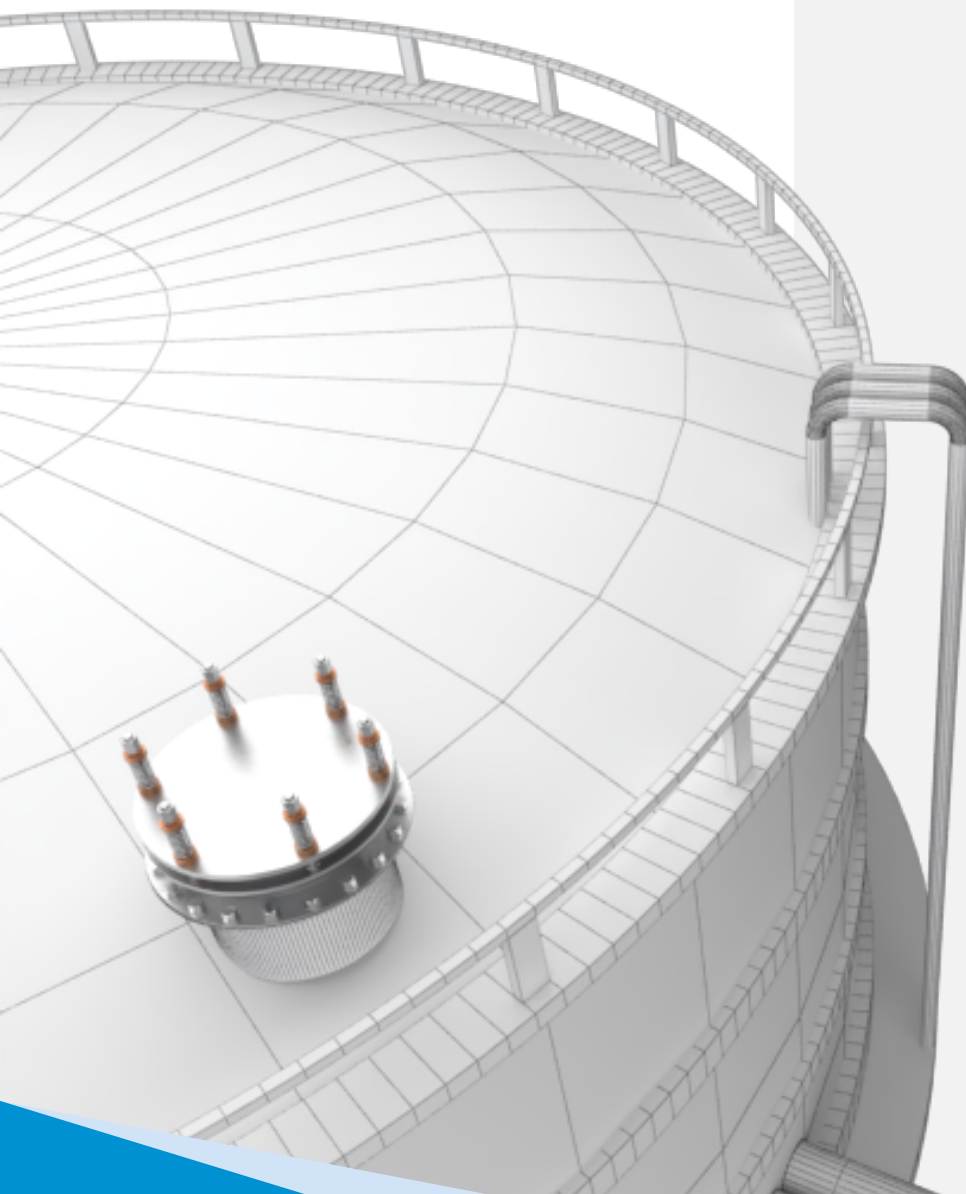
Storagetech™ Model Number 420 is Spring-Loaded Emergency Pressure Relief Vent is designed to operate in the last resort under the condition that the conventional pressure-vacuum relief valve has failed to operate which mean during the emergency moments when regular pressure vacuum vents cannot function.



The closure lid is retained in position by a calibrated coil spring.

A build up of pressure in the tank will overcome the resistance of the spring and the weight of the closure cause it to open sufficiently to allow the internal pressure to dissipate, thereby preventing the risk of tank rupture or explosion.

It will close automatically when the internal pressure is reduced.



Manufacturing Materials

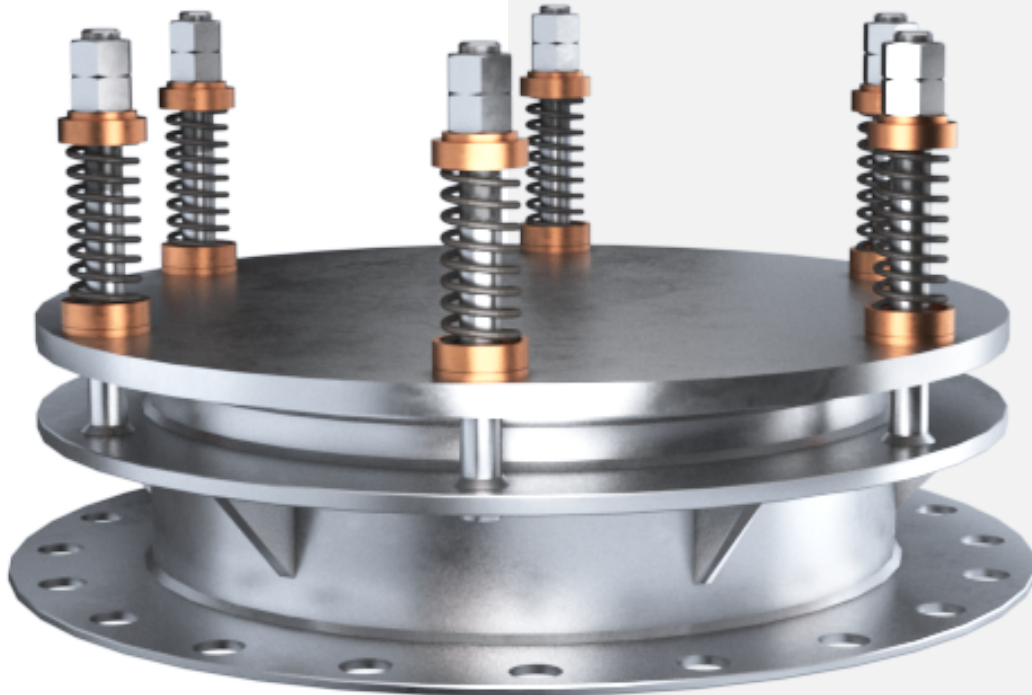
Base / Arm	Disk	Seal	Seal Support
Carbon Steel	Carbon Steel	Buna-N	Carbon Steel
304 S.S.	304 S.S.	FEP Teflon	304 S.S.
316 S.S.	316 S.S.	Viton	316 S.S.

Certificates & Standards



Product Benefits

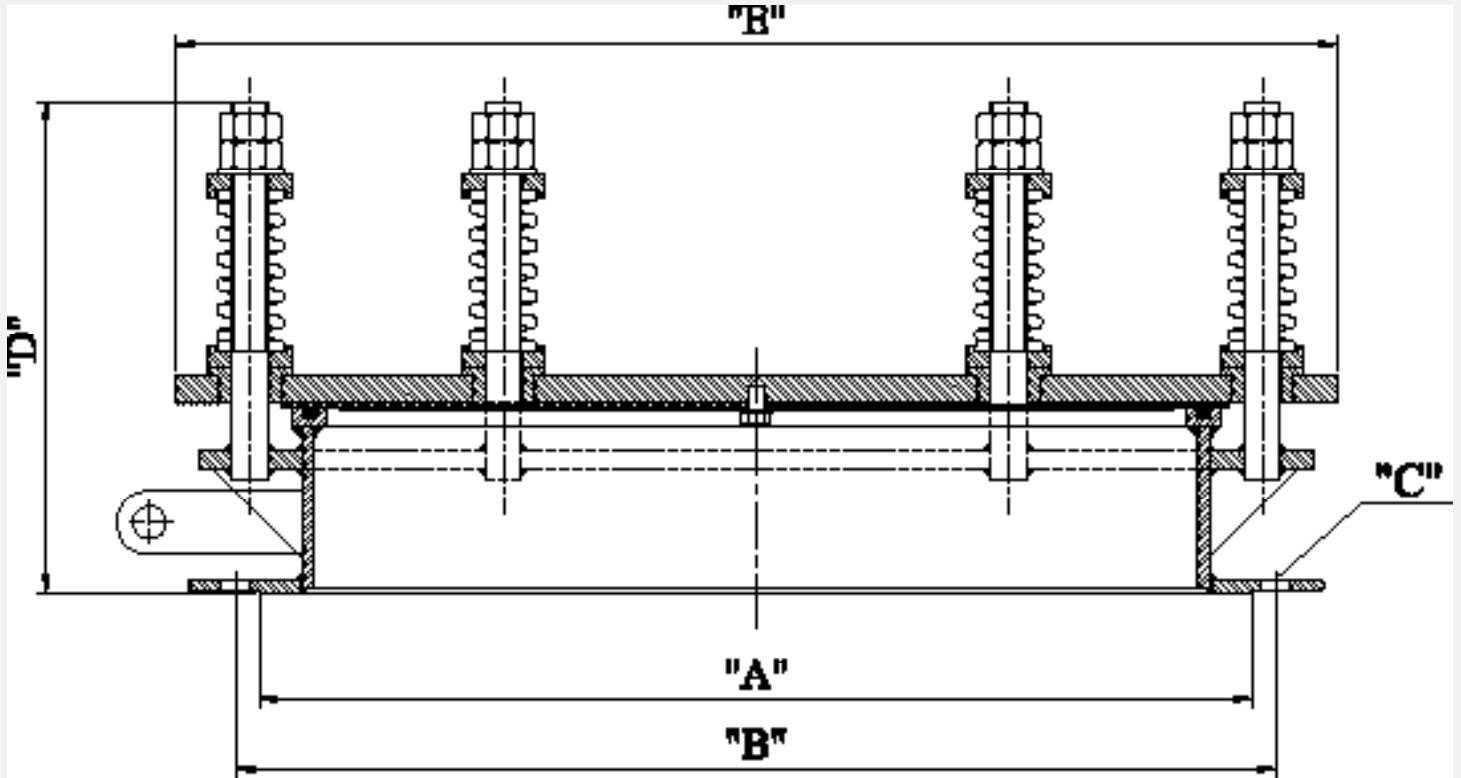
- StorageTech Model 420 prevents evaporation losses.
- Protects environment. Emergency Vent prevents green house gasses from mixing the atmosphere, and minimizes the product odors around the surrounding area.
- Emergency Vent provides safety for your storage facility.
- Emergency Vent protects your storage tank from explosions that are caused by sudden pressure and vacuum change.
- Provide easy access into the tank.



Key Features

- StorageTech Model 420 is made of corrosion resistant materials with a long life duration.
- All emergency relief vents are tested and inspected after manufacturing.
- The spring-loaded emergency pressure relief vent is installed in the horizontal plane on a flange at the top of the tank. A secondary use of the unit is to access the tank for product sampling or depth gauging.
- Easy to install. You do not need a special tool or experience to install the StorageTech Model 420.
- StorageTech Model 420 comes with the paint color you choose.

Technical Drawing

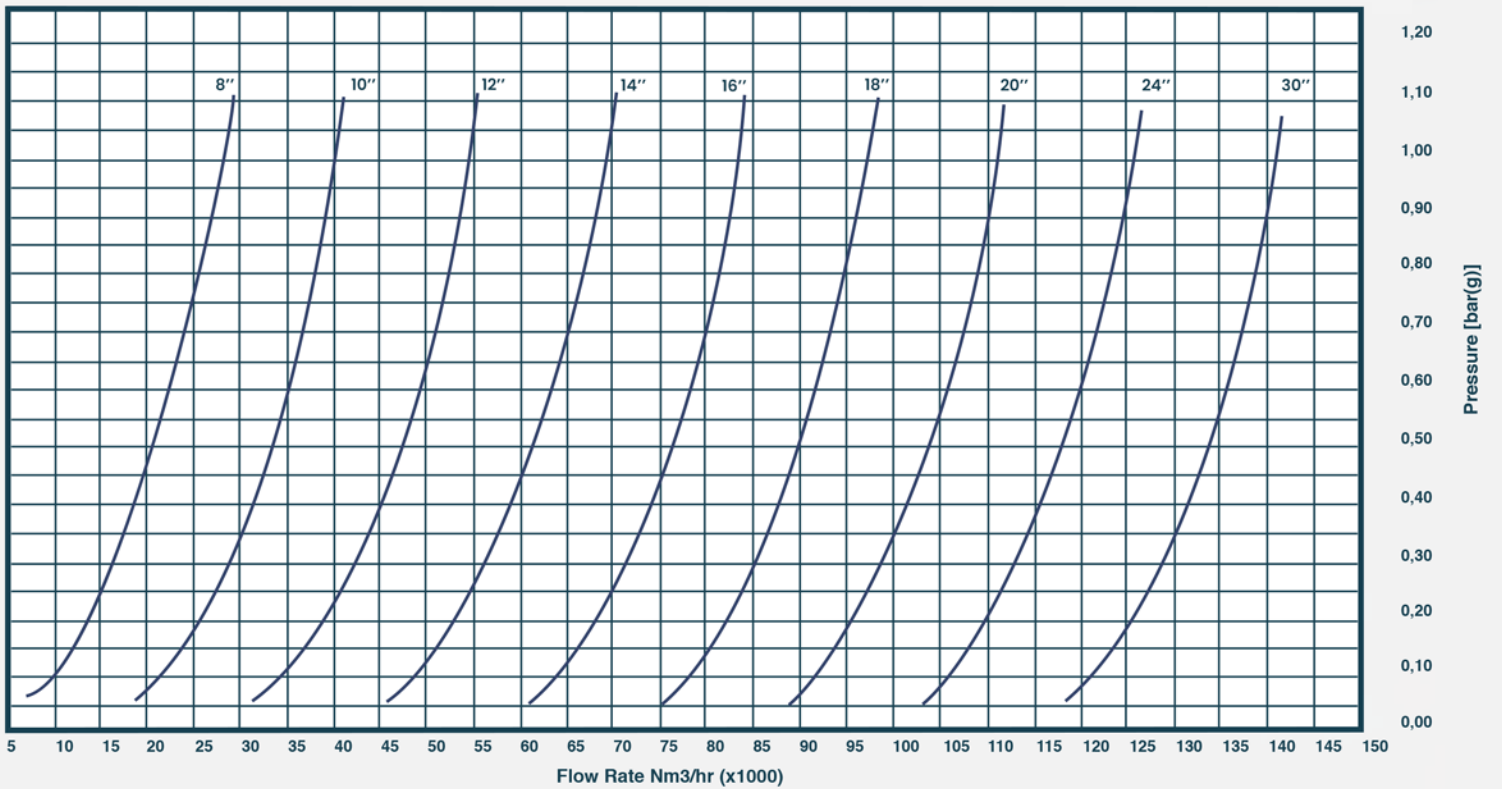


Weight & Dimensions

Model	Size NPS	Size DN	A Raised Face mm	B Bolt Circle Dia. mm	C Hole Dia. & Qty mm	D Height mm	E Hole Dia & Qty Lb. (Kg)	Unit Weight Kg
420	8"	200	269.7	298.5	Ø22.2x8	259	318	25
420	10"	250	323.8	362.09	Ø25.4x12	259	363	28
420	12"	300	381.0	431.8	Ø25.4x12	270	410	32
420	14"	350	412.8	476.2	Ø28.4x12	305	510	37
420	16"	400	469.9	539.8	Ø28.4x16	353	546	40
420	18"	450	533.4	577.9	Ø31.8x16	353	590	43
420	20"	500	584.2	635.0	Ø31.8x20	355	650	51
420	24"	600	592.2	749.3	Ø35.1x20	360	790	55
420	30"	750	857	914.4	Ø35.1x28	368	900	74

Flow Capacity Chart

Flow Capacity Chart



Äger GmbH

Germany Head Office + R&D + Sales

Herzogspitalstraße 24
Munich 80331
Germany
+49 89 9040 5200
www.aager.de
sales@aager.de

Turkey Head Office + Sales

Ağaoğlu My Office 212
No: 3 B Blok /175
P.K 34218 Güneşli – Bağcılar
Istanbul / Turkey
+90 212 485 40 07
+90 212 485 40 42
www.ergil.com
sales@ergil.com

Turkey Factory + Engineering + R&D + Sales

Mersin Tarsus OSB.13.CD.NO:7
P.K: 33540 Mersin, Turkey
+90 324 676 44 04
+90 324 676 44 03
sales@ergil.com

U.A.E. Sales + Warehouse

Jumeirah Lake Towers, X2 Tower 1906
P.O. Box: 123661 Dubai, U.A.E.
+971 4 450 8051
+971 4 450 8041
sales@ergil.com

data sheet series

Emergency Relief Vent
Spring Loaded

Revision No: 01
ST-DS-ERV.S-04.21/V1
storagetech.de

April 2021

Storagetech™ Website
QR Code

