

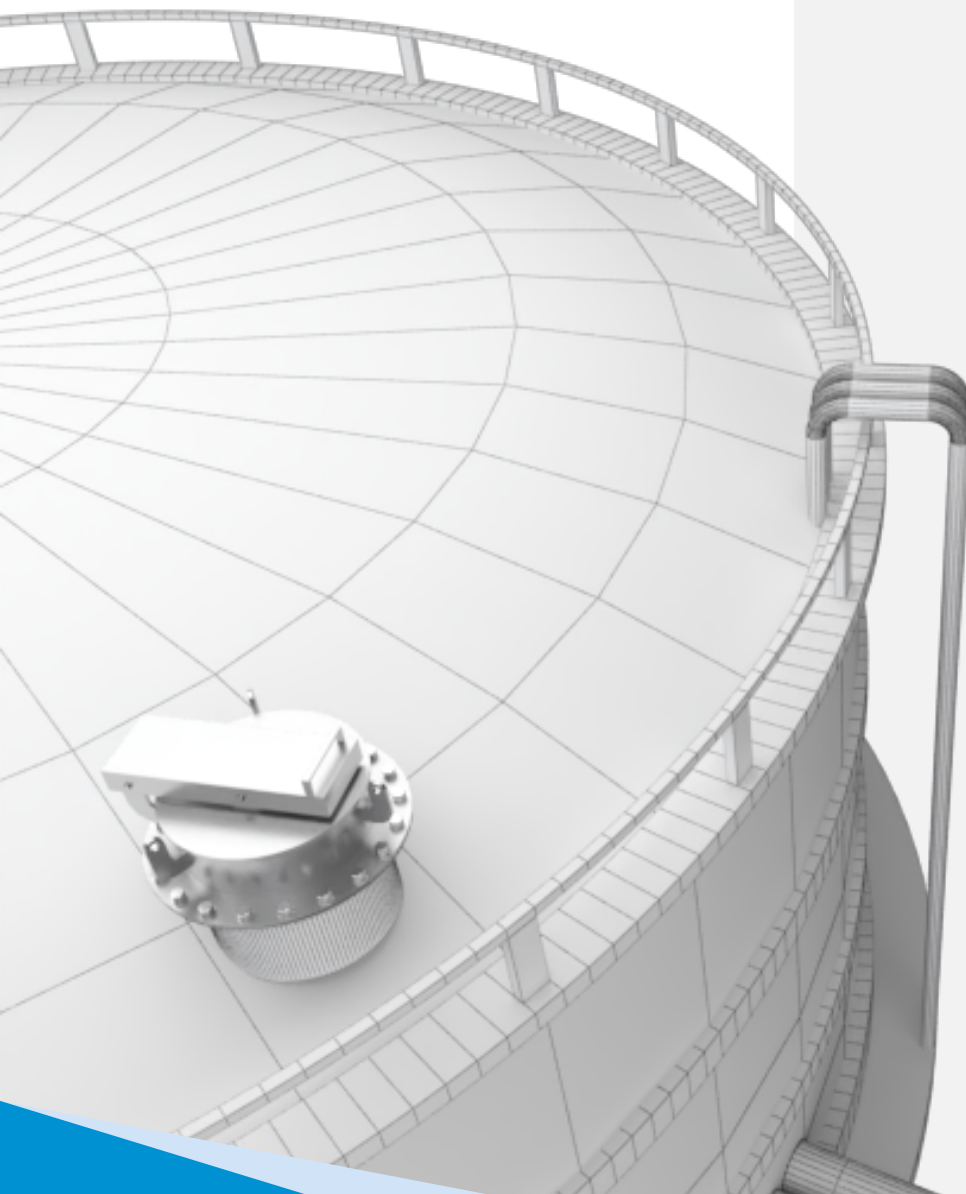
# Emergency Relief Vent

Weight Loaded  
**Model 400**



## Product Description

Storagetech™ Model Number 400 Emergency Relief Vent is a safety device that operates during the emergency moments when regular pressure vacuum vents cannot function. Model Number 400 protects the tank against the incidents of rupture or internal pressures that are caused by fire exposure and so forth.



They also provide easy access into the tank.

They are typically mounted to a flange, which connects the vapor space of a storage tank.

Vents can be set to your specifications so that the housings open when specific pressure and vacuum levels are reached.

## Manufacturing Materials

Base / Arm	Disk	Seal	Seal Support
Carbon Steel	Carbon Steel	Buna-N	Carbon Steel
304 S.S.	304 S.S.	FEP Teflon	304 S.S.
316 S.S.	316 S.S.	Viton	316 S.S.

## Certificates & Standards



## Product Benefits

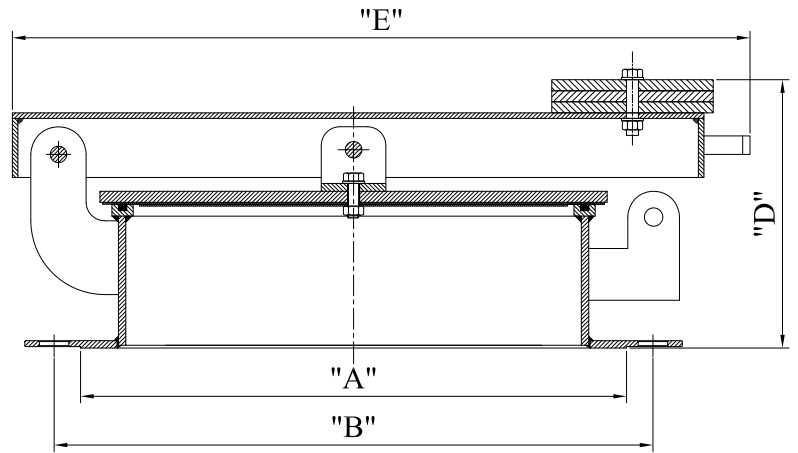
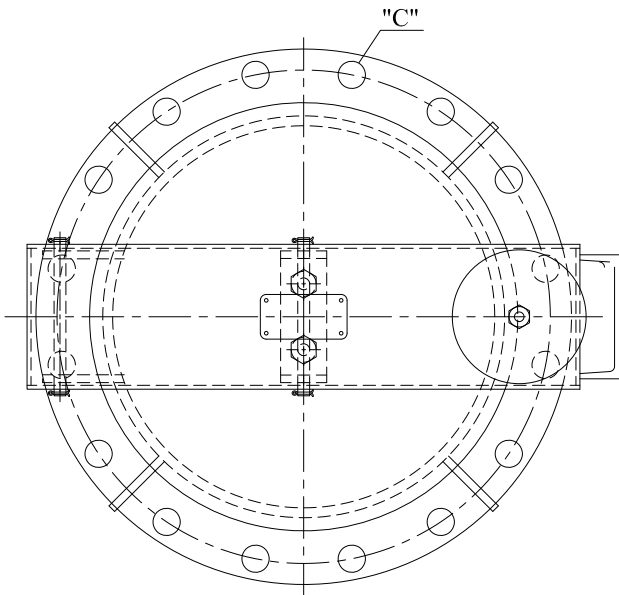
- StorageTech PVV Model 400 prevents evaporation losses.
- Protects environment. PVV prevents green house gases from mixing the atmosphere, and minimizes the product odors around the surrounding area.
- PVV provides safety for your storage facility. PVV protects your storage tank from explosions that are caused by sudden pressure and vacuum change.
- Provide easy access into the tank.



## Key Features

- StorageTech PVV Model 400 is made of corrosion resistant materials with a long life duration.
- All emergency relief vents are tested and inspected after manufacturing.
- Easy to install. You do not need a special tool or experience to install the StorageTech PVV Model 400.
- StorageTech PVV Model 400 comes with the paint color you choose.

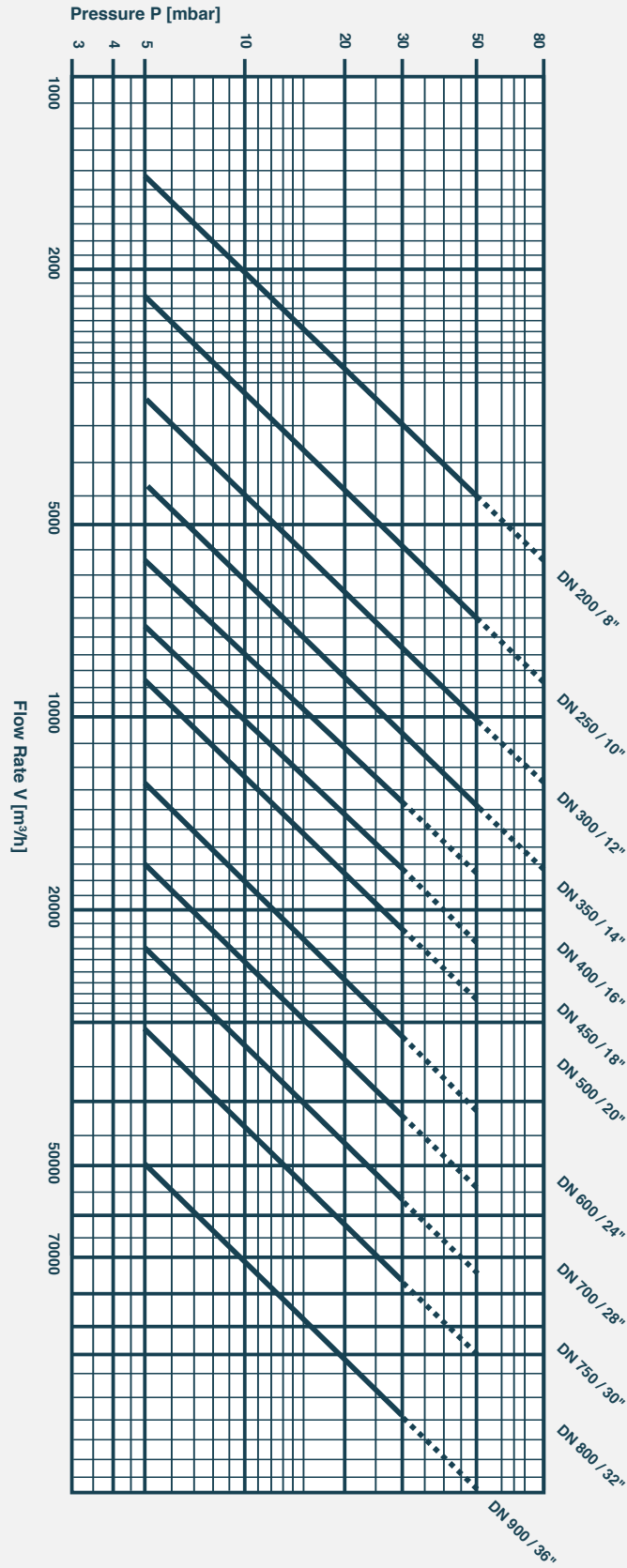
## Technical Drawing



## Weight & Dimensions

Model	Size NPS	Size DN	A Raised Face mm	B Bolt Circle Dia. mm	C Hole Dia. & Qty mm	D Height mm	E Hole Dia & Qty Lb. (Kg)	Unit Weight Kg
400	8"	200	269.7	298.5	Ø22.2x8	235	450	25-30
400	10"	250	323.8	362.09	Ø25.4x12	237	550	30-40
400	12"	300	381.0	431.8	Ø25.4x12	247	500	40-55
400	14"	350	412.8	476.2	Ø28.4x12	247	500	55-70
400	16"	400	469.9	539.8	Ø28.4x16	274	700	70-85
400	18"	450	533.4	577.9	Ø31.8x16	266	700	80-100
400	20"	500	584.2	635.0	Ø31.8x20	236	650	105-120
400	24"	600	592.2	749.3	Ø35.1x20	236	650	130-150
400	30"	750	857	914.4	Ø35.1x28	295	1050	210-230

## Flow Capacity Tables



## Äger GmbH

### Germany Head Office + R&D + Sales

Herzogspitalstraße 24  
Munich 80331  
Germany  
+49 89 9040 5200  
www.aager.de  
sales@aager.de

### Turkey Head Office + Sales

Ağaoğlu My Office 212  
No: 3 B Blok /175  
P.K 34218 Güneşli – Bağcılar  
Istanbul / Turkey  
+90 212 485 40 07  
+90 212 485 40 42  
www.ergil.com  
sales@ergil.com

### Turkey Factory + Engineering + R&D + Sales

Mersin Tarsus OSB.13.CD.NO:7  
P.K: 33540 Mersin, Turkey  
+90 324 676 44 04  
+90 324 676 44 03  
sales@ergil.com

### U.A.E. Sales + Warehouse

Jumeirah Lake Towers, X2 Tower 1906  
P.O. Box: 123661 Dubai, U.A.E.  
+971 4 450 8051  
+971 4 450 8041  
sales@ergil.com

### data sheet series

Emergency Relief Vent  
Weight Loaded

Revision No: 02  
ST-DS-ERV.W-04.21/V2  
storagetech.de

April 2021

Storagetech™ Website  
QR Code

