

Emergency Relief Vent

Weight Loaded
Model 400



Product Description

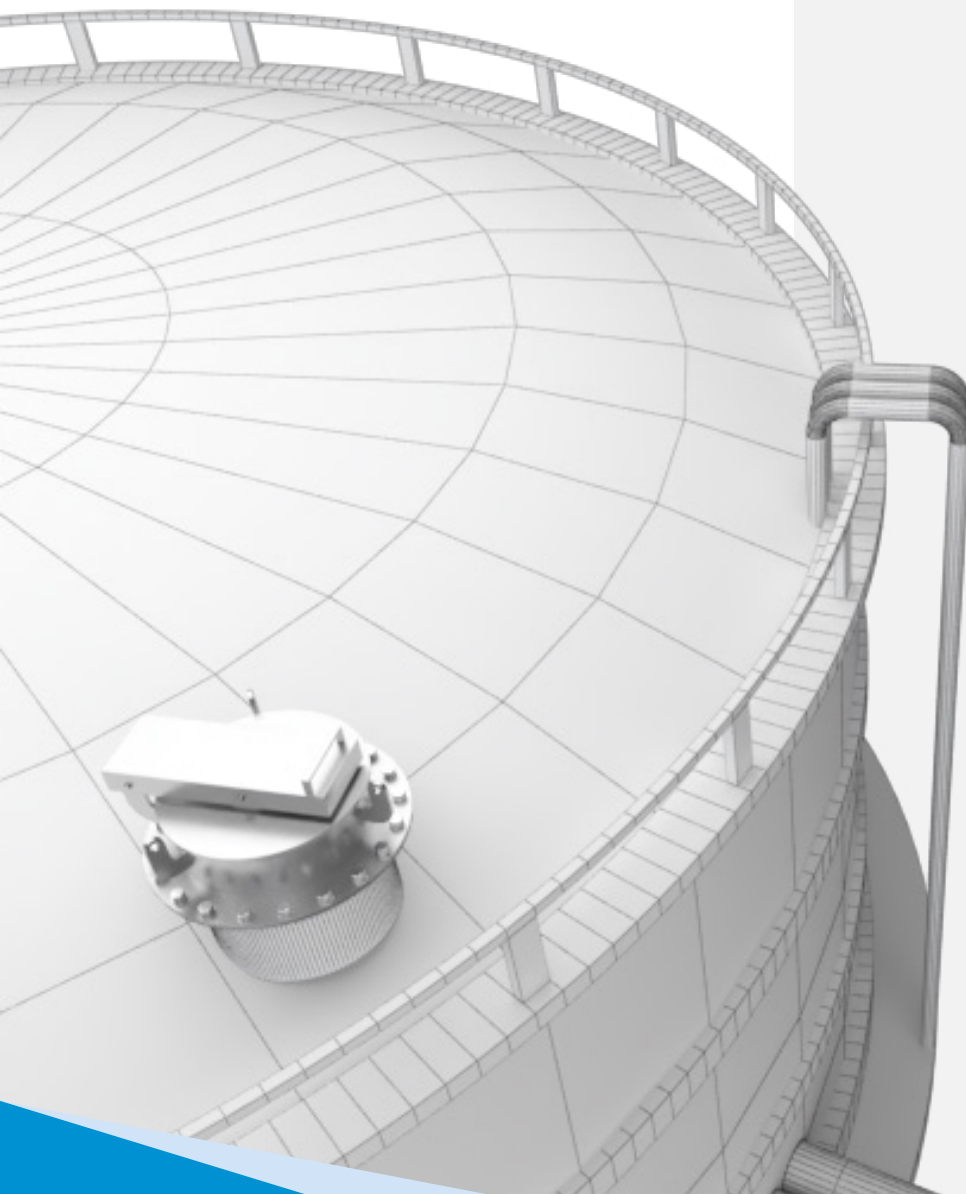
Storagetech™ Model Number 400 Emergency Relief Vent is a safety device that operates during the emergency moments when regular pressure vacuum vents cannot function. Model Number 400 protects the tank against the incidents of rupture or internal pressures that are caused by fire exposure and so forth.



They also provide easy access into the tank.

They are typically mounted to a flange, which connects the vapor space of a storage tank.

Vents can be set to your specifications so that the housings open when specific pressure and vacuum levels are reached.



Manufacturing Materials

Base / Arm	Disk	Seal	Seal Support
Carbon Steel	Carbon Steel	Buna-N	Carbon Steel
304 S.S.	304 S.S.	FEP Teflon	304 S.S.
316 S.S.	316 S.S.	Viton	316 S.S.
	Aluminum		Aluminum

Certificates & Standards



Product Benefits

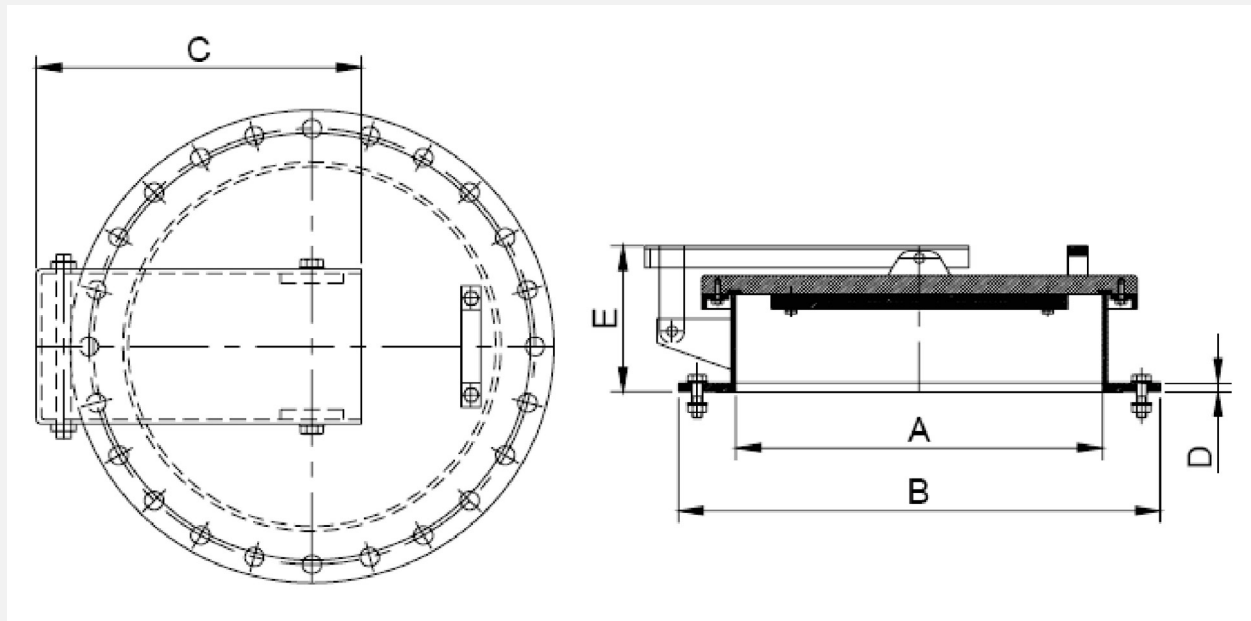
- StorageTech PVV Model 400 prevents evaporation losses.
- Protects environment. PVV prevents green house gases from mixing the atmosphere, and minimizes the product odors around the surrounding area.
- PVV provides safety for your storage facility. PVV protects your storage tank from explosions that are caused by sudden pressure and vacuum change.
- Provide easy access into the tank.



Key Features

- StorageTech PVV Model 400 is made of corrosion resistant materials with a long life duration.
- All emergency relief vents are tested and inspected after manufacturing.
- Easy to install. You do not need a special tool or experience to install the StorageTech PVV Model 400.
- StorageTech PVV Model 400 comes with the paint color you choose.

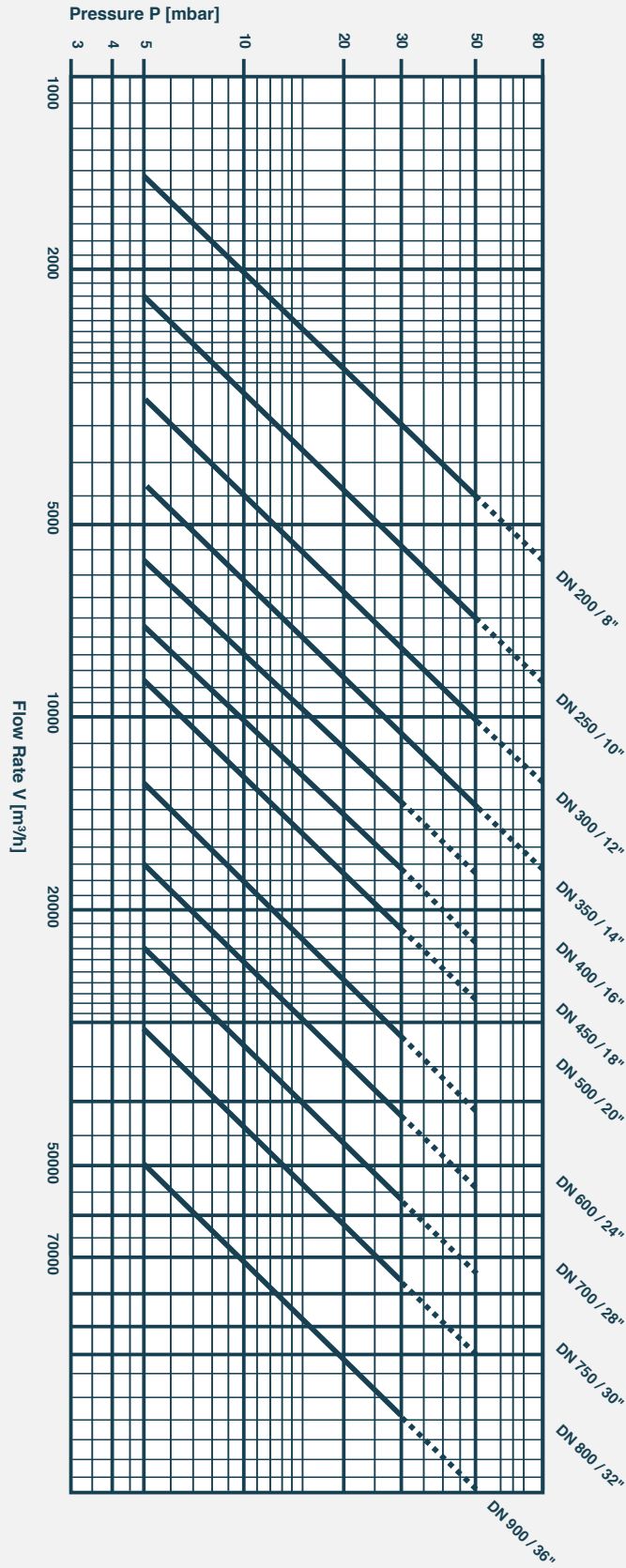
Technical Drawing



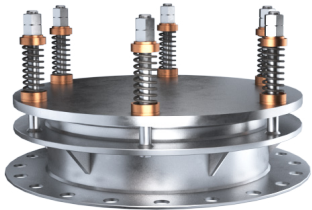
Weight & Dimensions

Model	A Size Inch (mm)	B ANSI Flange O.D. Inch (mm)	C Overall Length Inch (mm)	D Flange Thickness Inch (mm)	D Height Inch (mm)	C.S. Unit Weight Lb. (Kg)	S.S. Unit Weight Weight
400	3 (120)	7.5 (190.5)	5 (125)	1/3 (109)	5.5 (143)	14 (6)	14 (6)
400	16 (406.4)	23.5 (596)	14 (365)	1 (25)	8 (200)	94 (43)	97 (44)
400	18 (457)	23.5 (596.9)	14 (365)	1 (25)	9.5 (246)	110 (50)	118 (54)
400	20 (508)	27.5 (698.5)	19 (490)	1 (25)	9.5 (246)	119 (54)	127 (58)
400	24 (609.6)	32 (813)	20.5 (525)	1 (25)	9.5 (246)	176 (80)	186 (84)
400	30* (762)	38 (975)	25.5 (650)	1-1/3 (36)	12 (300)	278 (125)	286.5 (129)

Flow Capacity Tables



Product Recommendations



Emergency Relief Vent

| Spring Loaded

Model: 420

Storagetech™ Model Number 420 is Spring-Loaded Emergency Pressure Relief Vent is designed to operate in the last resort under the condition that the conventional pressure-vacuum relief valve has failed which mean during the emergency moments when regular pressure vacuum vents cannot function. The closure lid is retained in position by a calibrated coil spring.

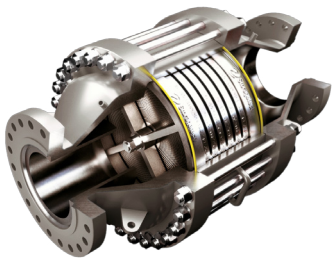


Gauge Hatch

| Non-Atmospheric,
Sampling Slot
Dip Hatch

Model: 220

Storagetech™'s Non-atmospheric Sampling Gauge Hatch provides access to bulk storage tanks while protection personnel and the environment when taking product samples, temperature, and gauging the depth product and residual water.

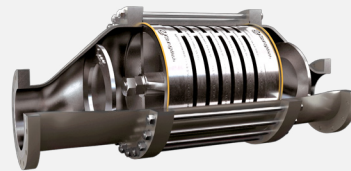


Flame Arrestor

| Vertical,
In-Line,
Detonation

Model: 320

Storagetech™'s Model 320 In-line Detonation Flame Arrestor (also called flame arrestor or fire arrestor) is designed for installation in gas pipelines. Detonation occurs when a flame travelling through the pipeline reaches supersonic velocities, usually as a result of the pipeline configuration or pipeline surface roughness. Changes in gas density and pressure causes the flame velocity to metamorphose from subsonic to supersonic.



Flame Arrestor

| Horizontal,
In-Line,
Detonation

Model: 321

Storagetech™'s Model 321 In-line Detonation Flame Arrestor (also called flame arrestor or fire arrestor) is designed for installation in gas pipelines. Detonation occurs when a flame travelling through the pipeline reaches supersonic velocities, usually as a result of the pipeline configuration or pipeline surface roughness. Changes in gas density and pressure causes the flame velocity to metamorphose from subsonic to supersonic.

Äger GmbH

Germany Head Office + R&D + Sales

Herzogspitalstraße 24
Munich 80331
Germany
+49 89 9040 5200
www.aager.de
sales@aager.de

Turkey Head Office + Sales

Ağaoğlu My Office 212
No: 3 B Blok /175
P.K 34218 Güneşli – Bağcılar
Istanbul / Turkey
+90 212 485 40 07
+90 212 485 40 42
www.ergil.com
sales@ergil.com

Turkey Factory + Engineering + R&D + Sales

Mersin Tarsus OSB.13.CD.NO:7
P.K: 33540 Mersin, Turkey
+90 324 676 44 04
+90 324 676 44 03
sales@ergil.com

U.A.E. Sales + Warehouse

Jumeirah Lake Towers, X2 Tower 1906
P.O. Box: 123661 Dubai, U.A.E.
+971 4 450 8051
+971 4 450 8041
sales@ergil.com

data sheet series

Emergency Relief Vent
Weight Loaded

Revision No: 01
ST-DS-ERV.W-04.21/V1
storagetech.de

April 2021

Storagetech™ Website
QR Code

